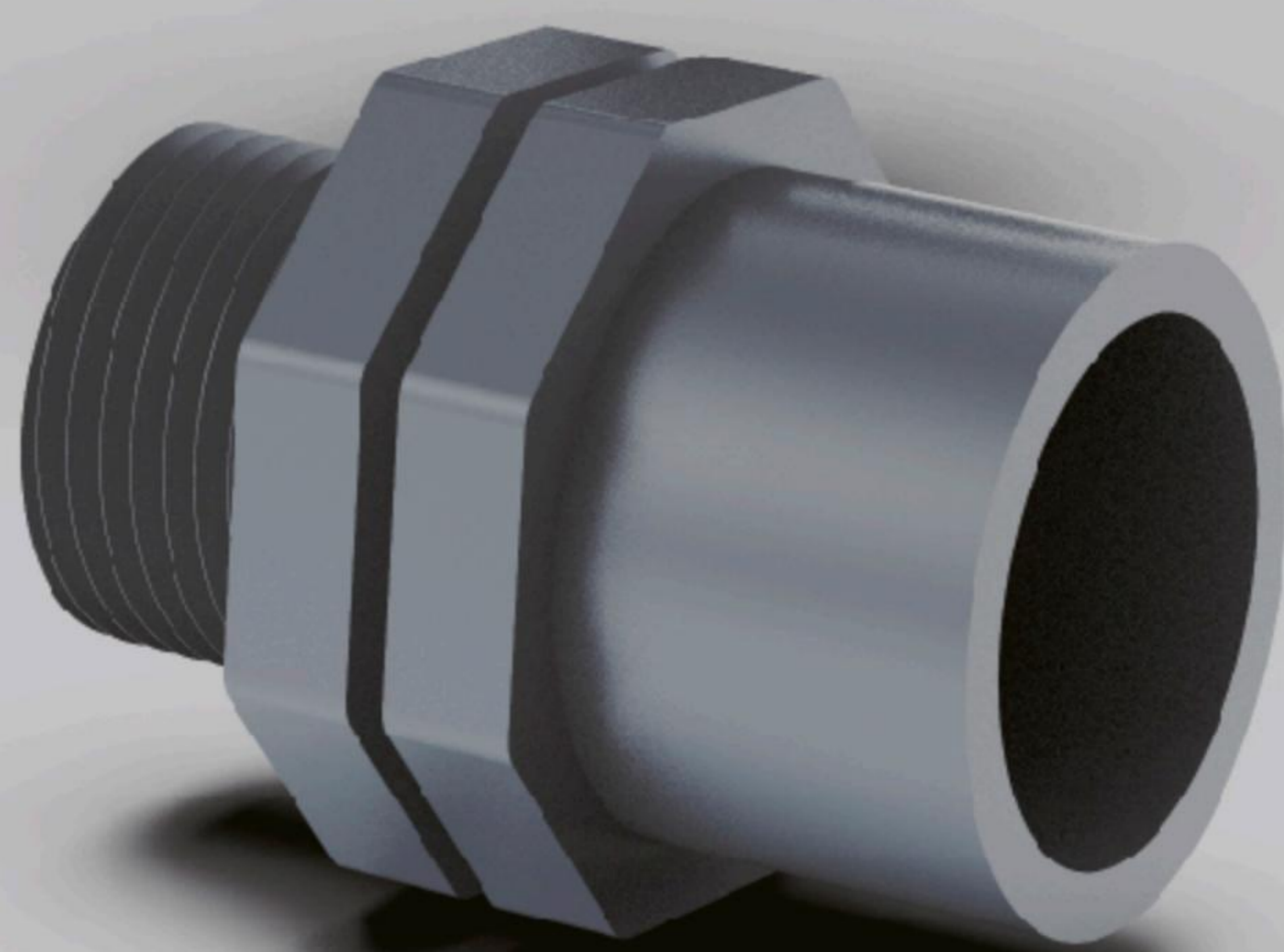
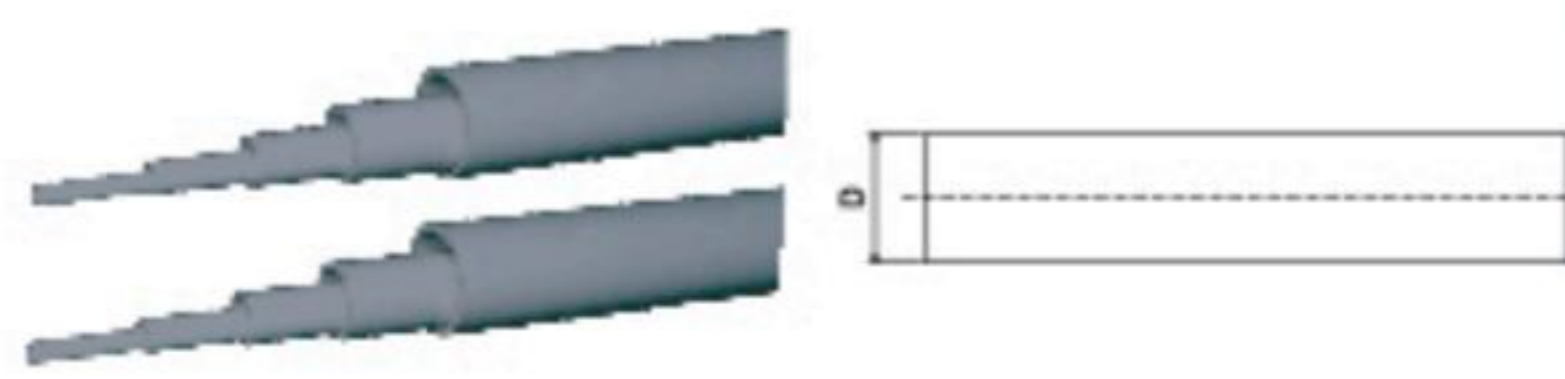


# PVC PRESSURE PIPES & FITTINGS

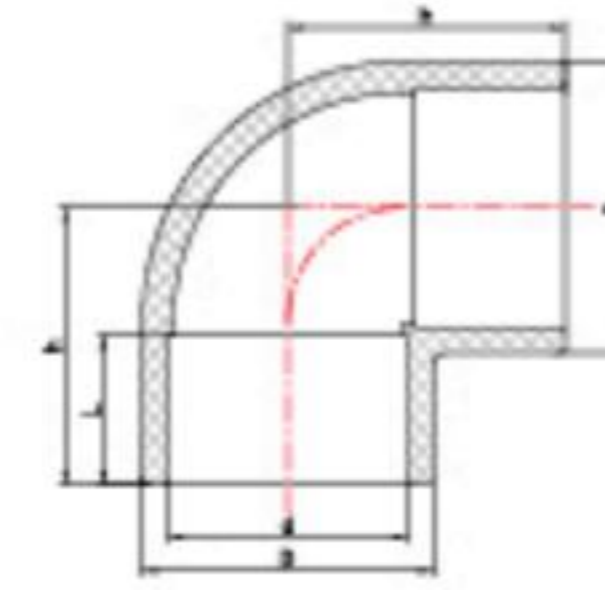
(DIN8063 PN16)

**PRESSURE**





ITEM NO: US6001



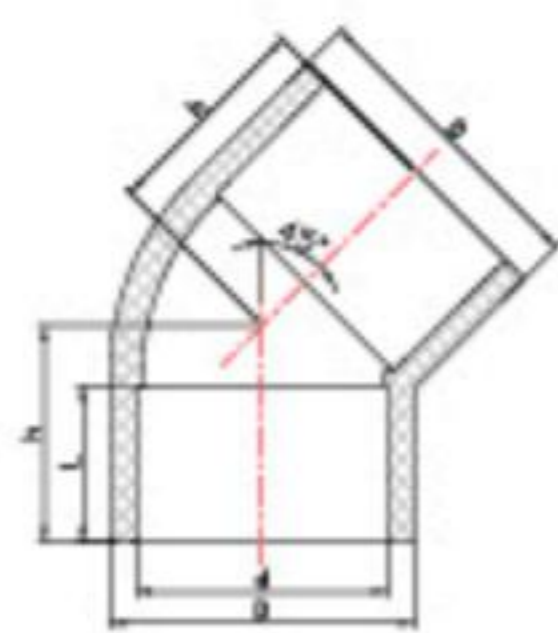
ITEM NO: US6E02

**● PRESSURE PIPES PN16**

Size	Nom	Outer Dia	Wall Thickness
20	20	20	2.0
25	25	25	2.0
32	32	32	2.4
40	40	40	3.0
50	50	50	3.7
63	63	63	4.7
75	75	75	5.6
90	90	90	6.7
110	110	110	7.2

**● 90° ELBOW**

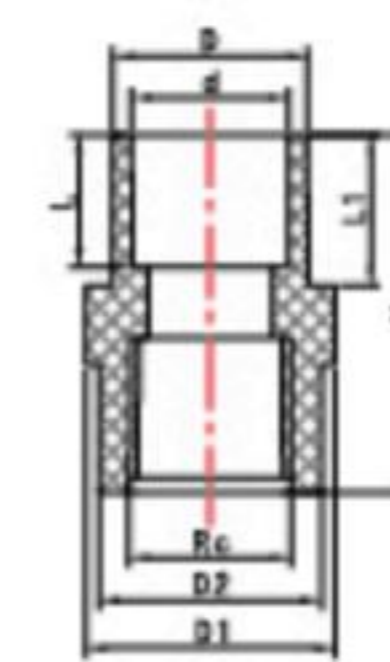
Size	Nom	D	d	L	h
20	27	20	16.5	28	
25	33	25	19.5	33.5	
32	41.3	32	22.5	40	
40	50.4	40	26.5	48	
50	61	50	31.5	58	
63	75.9	63	38.5	72	
75	89.8	75	44.5	84	
90	107.8	90	51.5	99	
110	131	110	61.5	119	
125	148.1	125.6	69	134.5	
140	140.7	165.3	76.5	149.5	
160	188	160	86.5	169.5	



ITEM NO: US6E01

**● 45° ELBOW**

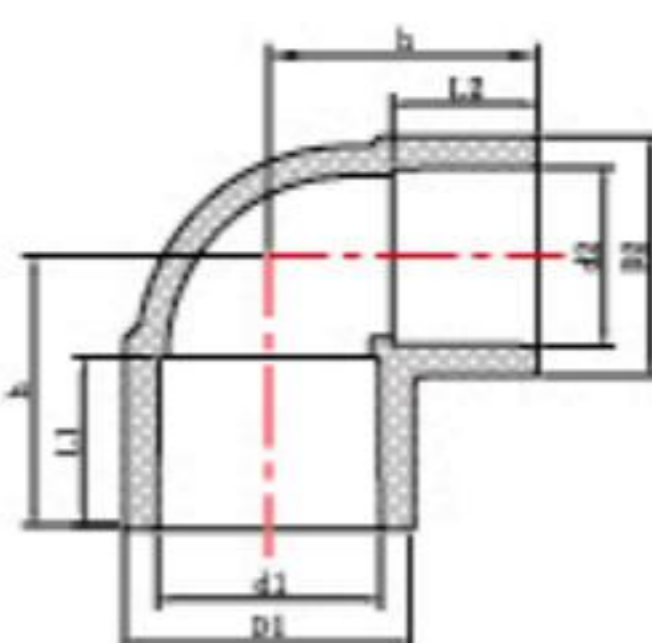
Size	Nom	D	d	L	h
20	27	20	16.5	21.5	
25	33	25	19.5	25.5	
32	41.3	32	22.5	30	
40	50.4	40	26.5	36	
50	61	50	31.5	43.5	
63	75.9	63	38.5	53.5	
75	89.8	75	44.5	62	
90	107.8	90	51.5	72.5	
110	131	110	61.5	87.5	
125	148.1	125.6	69	98	
140	165.3	140.7	76.5	108.5	
160	188	160	86.5	123	



ITEM NO: USF002

**● FEMALE ADAPTOR M/F**

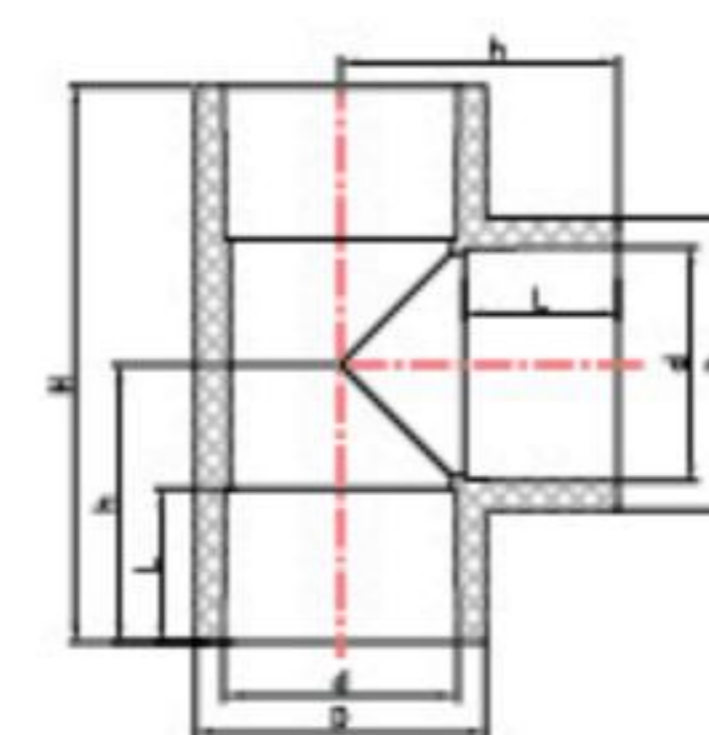
Size	Nom	D1	D2	D	d	L	L1	H	Rc
25X20X1/2"		32	28.5	25	20	17	19.5	46	1/2"



ITEM NO: US6E07

**● REDUCING ELBOW**

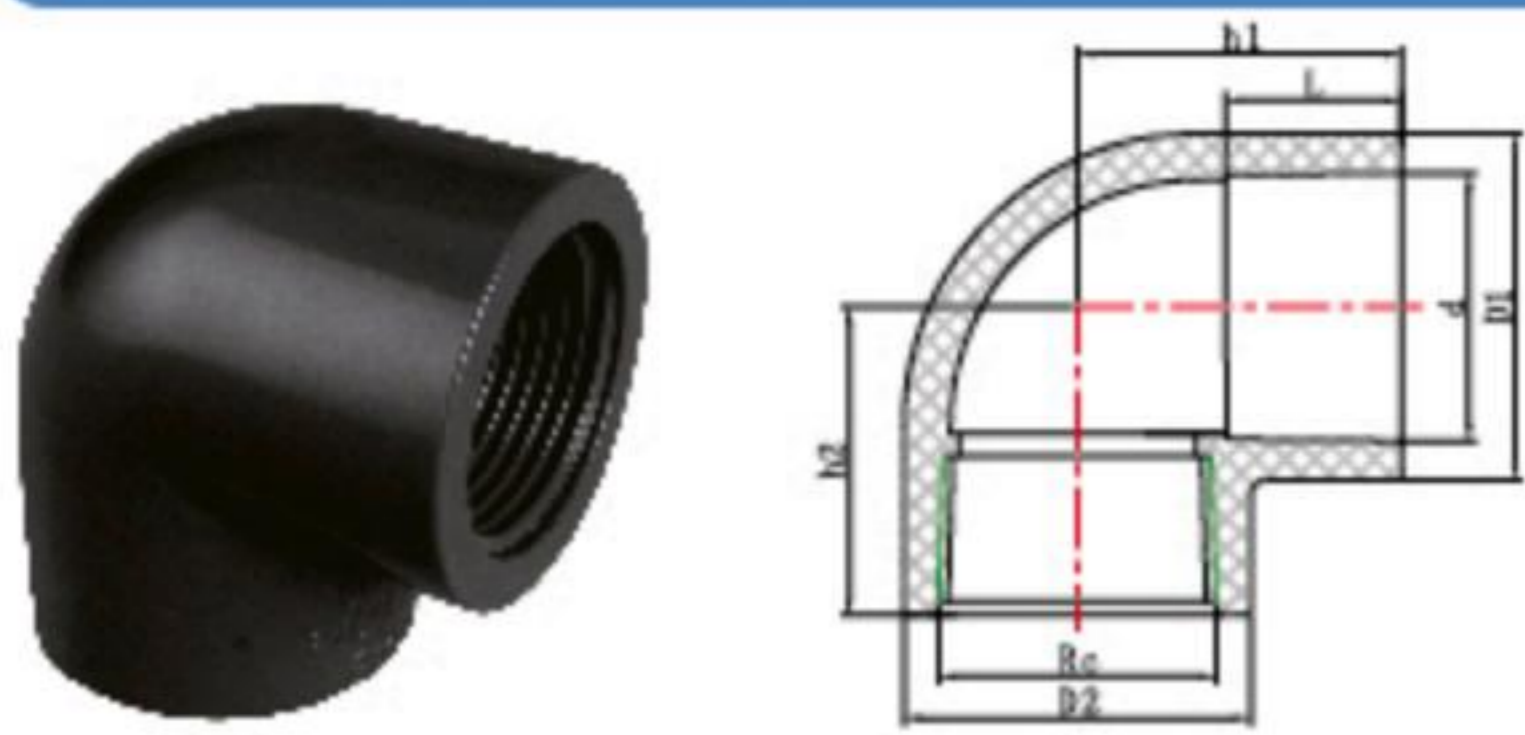
Size	Nom	D1	d1	L1	D2	d2	L2	h
25x20		33	25	19.5	27	20	16.5	30.5



ITEM NO: US6T01

**● TEE**

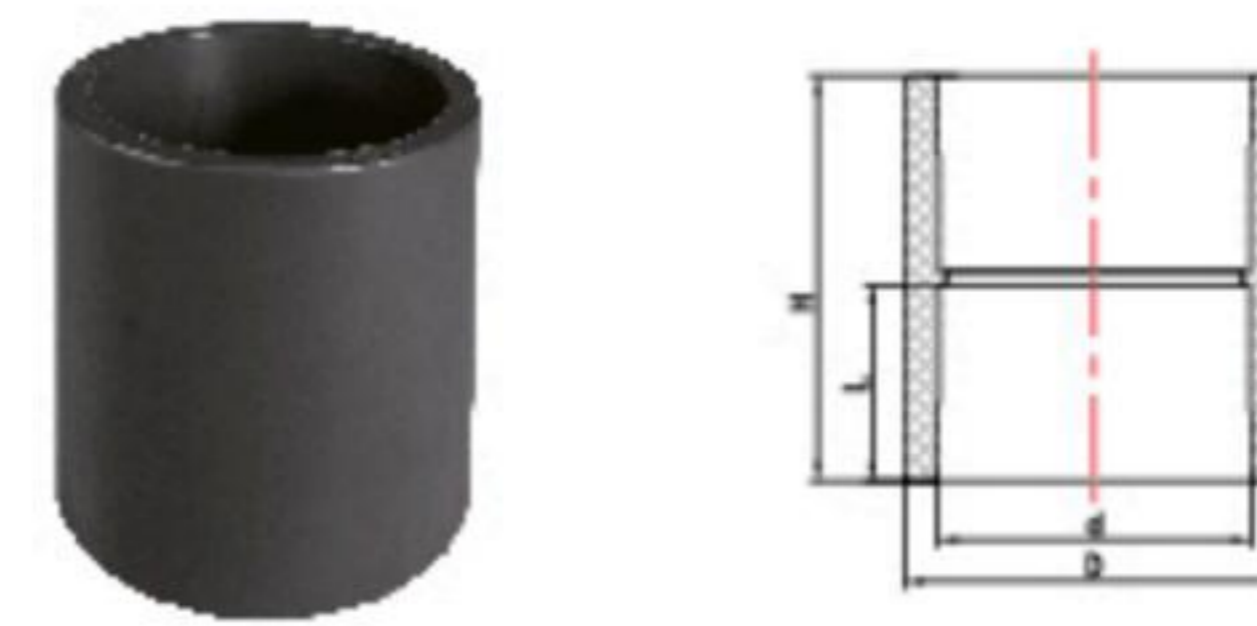
Size	Nom	D	d	L	H	h
20	27	20	16.5	56	28	
25	33	25	19.5	67	33.5	
32	41.3	32	22.5	80	40	
40	50.4	40	26.5	96	48	
50	61	50	31.5	117	58	
63	75.9	63	38.5	144	72	
75	89.8	75	44.5	168	84	
90	107.8	90	51.5	197	98.5	
110	131	110	61.5	237	118.5	
125	148.1	125.6	69		134.5	
140	140.7	165.3	76.5		149.5	
160	188	160	86.5	337	168.5	



ITEM NO: US6E03

**FEMALE ELBOW**

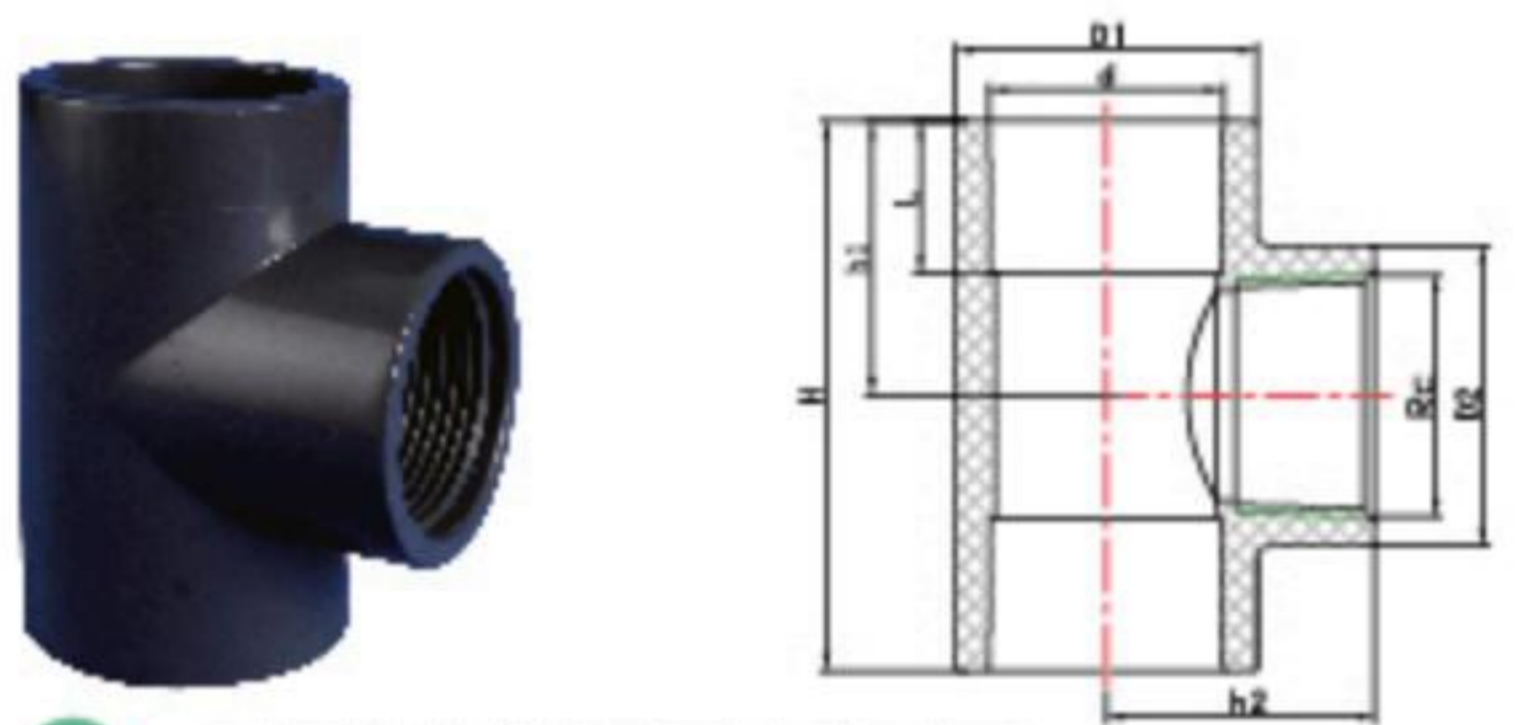
Nom Size	D1	D2	d	L	h1	h2	Rc
20X1/2"	28.6	28.6	20	16.5	28	28.5	1/2"
25X1/2"	33	28.6	25	19.5	31.5	31.5	1/2"
25X3/4"	35.1	35.1	25	19.5	34	33	3/4"
32X1/2"	41.3	29.6	32	22.5	34.5	35	1/2"
32X3/4"	41.3	35	32	22.5	37	36.5	3/4"
32X1"	44.3	44.3	32	22.5	40	40.5	1"
40X1 1/4"	52.4	52.4	40	26.5	49	46.5	1 1/4"
50X1 1/2"	61	61	50	31.5	56.5	52	1 1/2"
63X2"	75.9	75.9	63	38.5	69	63	2"
75X2 1/2"	89.8	89.8	75	44.5	83	74.5	2 1/2"
90X3"	107.8	107.8	90	51.5	96.5	84	3"
110X4"	135.5	135.5	110	61.5	119	105.5	4"



ITEM NO: US6003

**COUPLING**

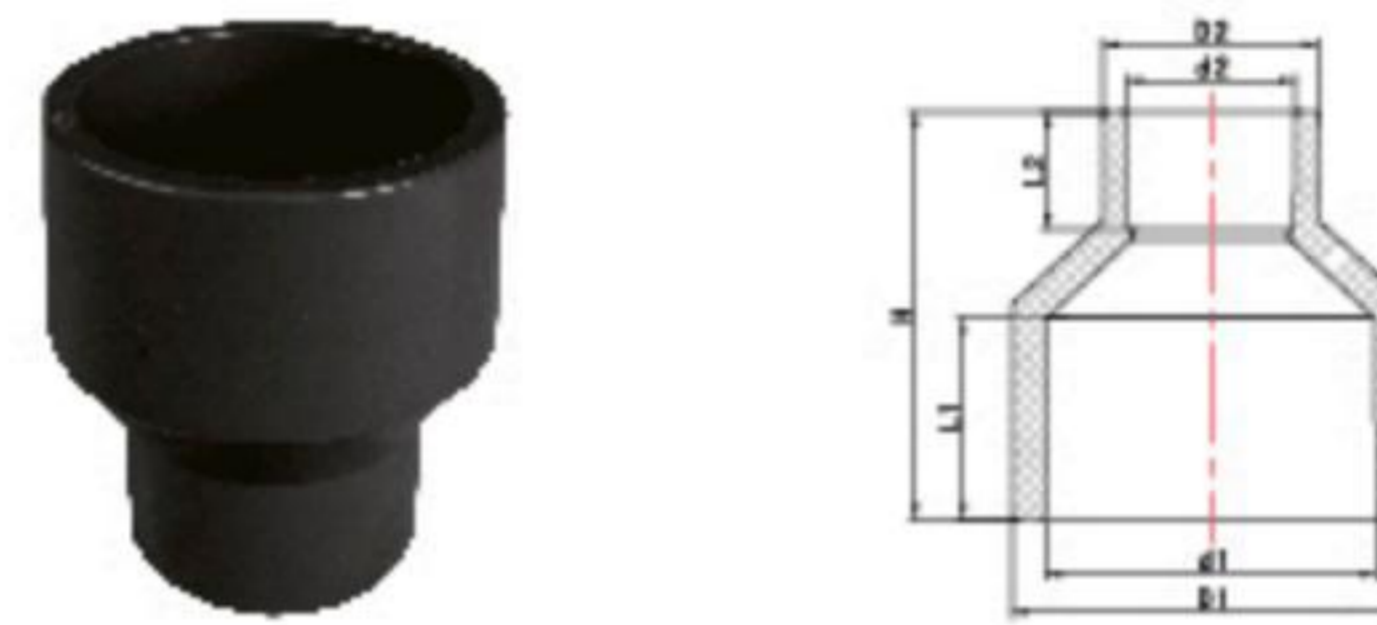
Nom Size	D	d	L	H
20	27	20	16.5	35
25	33	25	19.5	41
32	41.3	32	22.5	47
40	50.4	40	26.5	55
50	61	50	31.5	65
63	75.9	63	38.5	80
75	89.8	75	44.5	92
90	107.8	90	51.5	107
110	131	110	61.5	128
160	188	160	86.5	180



ITEM NO: US6T03

**FEMALE TEE**

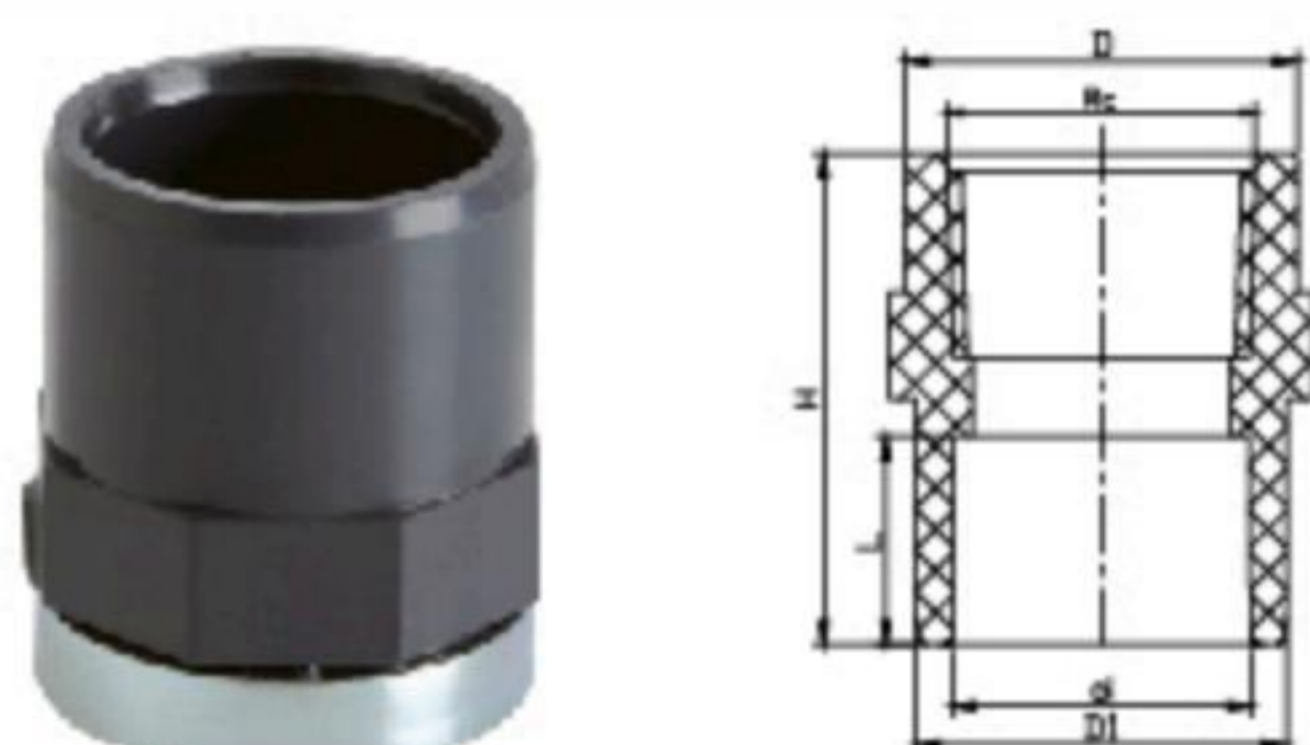
Nom Size	D1	D2	d	L	h1	h2	H	Rc
20X1/2"	28.6	28.6	20	16.5	27.5	29	55	1/2"
25X1/2"	33	28.6	25	19.5	30.5	31.5	61	1/2"
25X3/4"	34.2	34.2	25	19.5	33	33.5	66	3/4"
32X1/2"	41.3	29.6	32	22.5	34	35	68	1/2"
32X3/4"	41.3	35	32	22.5	36.5	36.5	73	3/4"
32X1"	42.3	42.3	32	22.5	40	40	80	1"
40X1 1/4"	52.4	52.4	40	26.5	47.5	46.5	95	1 1/4"
50X1/2"	61	27.7	50.4	31.5	42.5	44.8	85	1/2"
50X1 1/2"	61	61	50	31.5	55.5	51.5	111	1 1/2"
63X1/2"	75.9	27.7	63.4	38.5	49.5	52.3	99	1/2"
63x3/4"	75.9	34.2	63.4	38.5	52.5	53.8	105	3/4"
63X2"	75.9	75.9	63	38.5	68.5	62	137	2"
75X2 1/2"	89.8	89.8	75	44.5	83	73.5	166	2 1/2"
90X3"	107.8	107.8	90	51.5	96.5	84	193	3"
110X4"	135.5	135.5	110	61.5	119	100	238	4"



ITEM NO: US6004

**REDUCING COUPLING**

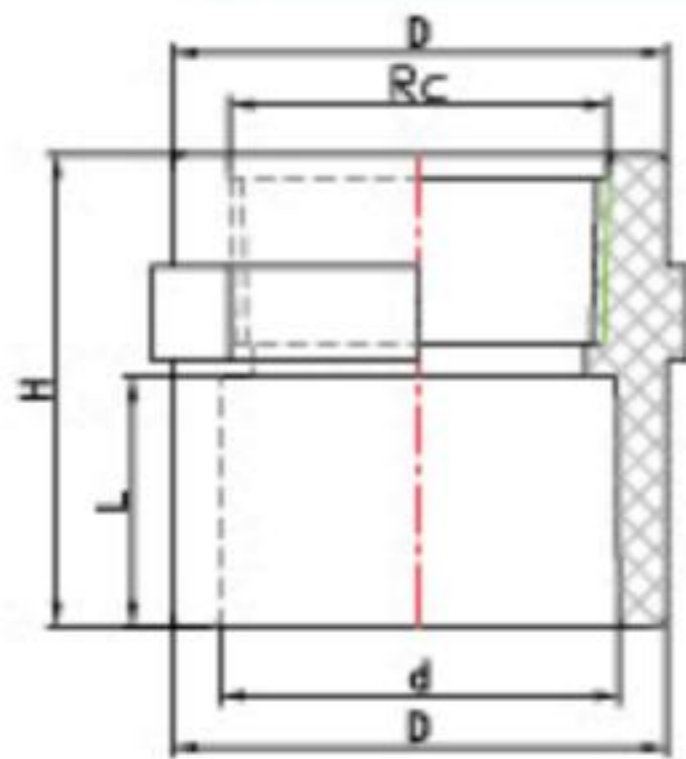
Nom Size	D1	d1	L1	D2	d2	L2	H
25x20	33	25	19.5	27	20	16.5	43
32x20	41.3	32	22.5	27	20	16.5	48
32x25	41.3	32	22.5	33	25	19.5	50
40x20	50.4	40	26.5	27	20	16.5	52
40x25	50.4	40	26.5	33	25	19.5	56
40x32	50.4	40	26.5	41.3	32	22.5	59
50x20	61	50	31.5	27	20	16.5	62
50x25	61	50	31.5	33	25	19.5	65
50x32	61	50	31.5	41.3	32	22.5	67
50x40	61	50	31.5	50.4	40	26.5	72
63x25	75.9	63	38.5	33	25	19.5	75
63x32	75.9	63	38.5	41.3	32	22.5	78
63x40	75.9	63	38.5	50.4	40	26.5	82
63x50	75.9	63	38.5	61	50	31.5	87
75x40	89.8	75	44.5	50.4	40	26.5	90
75x50	89.8	75	44.5	61	50	31.5	96
75x63	89.8	75	44.5	75.9	63	38.5	101
90x40	107.8	90	51.5	50.4	40	26.5	105
90x50	107.8	90	51.5	61	50	31.5	108
90x63	107.8	90	51.5	75.9	63	38.5	115
90x75	107.8	90	51.5	89.8	75	44.5	118
110x63	131	110	61.5	75.9	63	38.5	130
110x75	131	110	61.5	89.8	75	44.5	134
110x90	131	110	61.5	107.8	90	51.5	139
160x110	188	160	86.5	131	110	61.5	190



ITEM NO: US6021

**FEMALE ADAPTOR M/F**

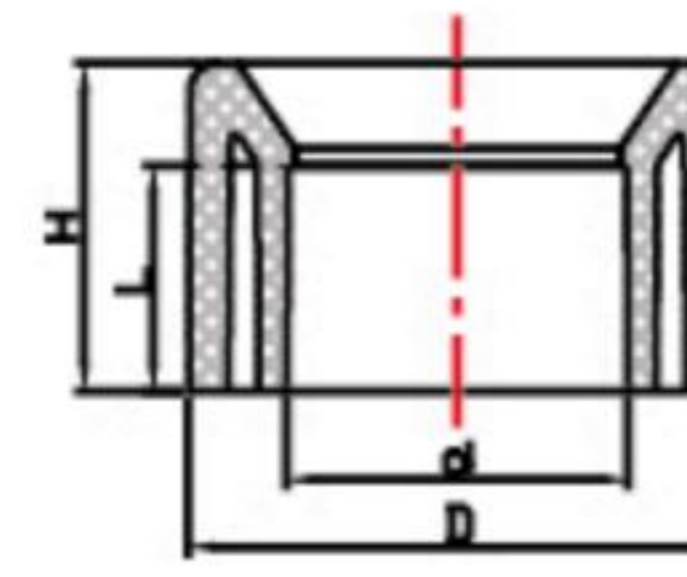
Nom Size	D	D1	d	L	H	Rc
25X20X3/4"	31.8	24.9	20.2	17	43	3/4"
32X25X3/4"	31.8	31.5	25.6	19.5	43	3/4"
40X32X1"	42.3	40	32.3	22.5	53	1"



ITEM NO: US6011

**FEMALE ADAPTOR**

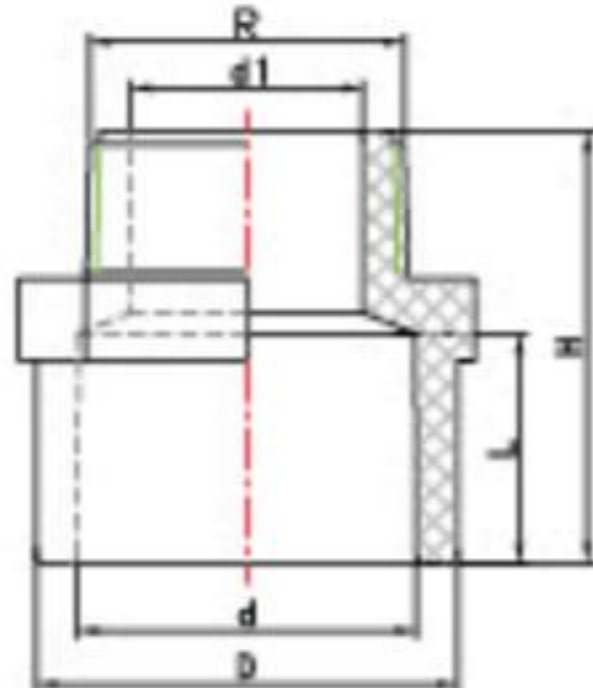
Nom Size	D	d	L	H	Rc
20X1/2"	28.6	20	16.5	35.5	1/2"
25X3/4"	34	25	19.5	40	3/4"
32X1"	42.3	32	22.5	46.6	1"
40X1 1/4"	51.4	40	26.5	54.5	1 1/4"
50X1 1/2"	62.5	50	31.5	59.5	1 1/2"
63X2"	77.4	63	38.5	71.5	2"
75X2 1/2"	91.3	75	44.5	80.5	2 1/2"
90X3"	109.8	90	51.5	90.5	3"
110X4"	133	110	61.5	107	4"



ITEM NO: US6005

**REDUCING RING**

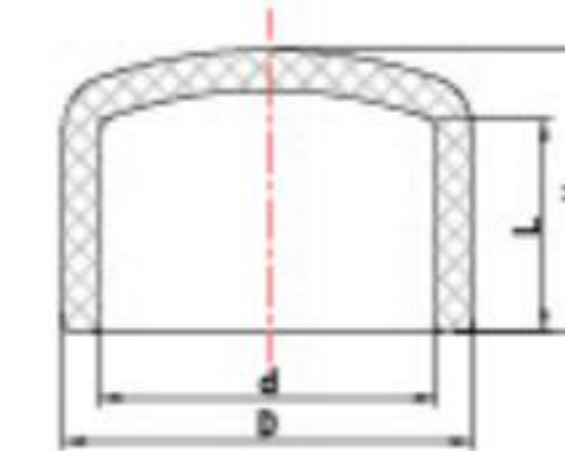
Nom Size	D	d	L	H
25x20	25	20	16.5	19.5
32x20	32	20	16.5	22.5
32x25	32	25	19.5	22.5
40x20	40	20	16.5	26.5
40x25	40	25	19.5	26.5
40x32	40	32	22.5	26.5
50x20	50	20	16.5	31.5
50x25	50	25	19.5	31.5
50x32	50	32	22.5	31.5
50x40	50	40	26.5	31.5
63x25	63	25	19.5	38.5
63x32	63	32	22.5	38.5
63x40	63	40	26.5	38.5
63x50	63	50	31.5	38.5
75x50	75	50	31.5	44.5
75x63	75	63	38.5	44.5
90x50	90	50	31.5	51.5
90x63	90	63	38.5	51.5
90x75	90	75	44.5	51.5
110x63	110	63	38.5	61.5
110x75	110	75	44.5	61.5
110x90	110	90	51.5	61.5
160x90	160	90	51.5	86.5
160x110	160	110	61.5	86.5



ITEM NO: US6012

**MALE ADAPTOR**

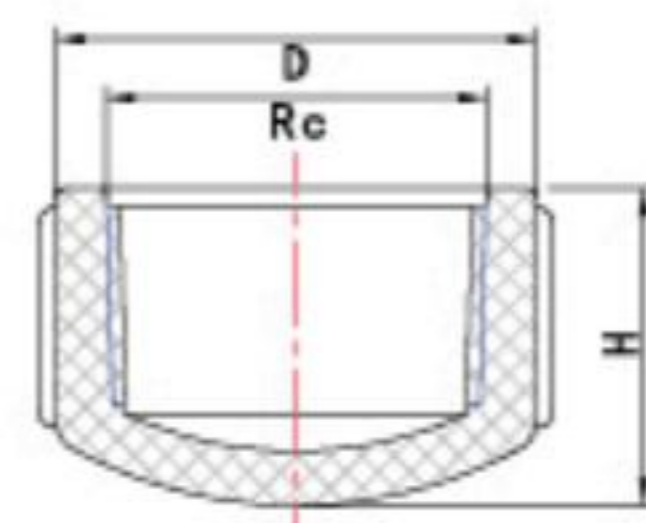
Nom Size	D	d	d1	L	H	R
20X1/2"	28.6	20	12	16.5	38.5	1/2"
20X3/4"	28.5	20.3	17	18	40	3/4"
25X3/4"	34	25	17	19.5	44	3/4"
25X1"	34	25.8	22	21.5	47.5	1"
32X1 1/4"	42.3	32.3	29	25	54.5	1 1/4"
32X1"	42.3	32	22	22.5	52.5	1"
40X1 1/4"	51.4	40	30	26.5	58	1 1/4"
40X1 1/2"	51.4	40.4	34.5	28	58	1 1/2"
50X1 1/2"	62.5	50	34.5	31.5	64	1 1/2"
50X2"	62.5	50.4	44.4	34	68	2"
63X2"	77.4	63	44.4	38.5	74	2"
75X2 1/2"	91.3	75	57.7	44.5	83.5	2 1/2"
90X3"	109.8	90	66.7	51.5	98.5	3"
110X4"	133	110	88.7	61.5	116.5	4"



ITEM NO: US6016

**END CAP**

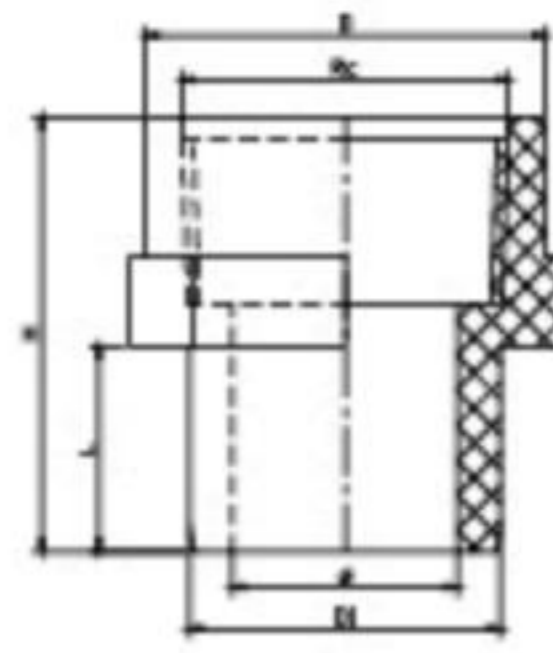
Nom Size	D	d	L	H
20	27	20	16.5	21.5
25	33	25	19.5	26
32	41.3	32	22.5	31
40	50.4	40	26.5	36
50	61	50	31.5	42
63	75.9	63	38.5	51
75	89.8	75	44.5	59
90	107.8	90	51.5	68
110	131	110	61.5	81.5



ITEM NO: US6017

**FEMALE CAP**

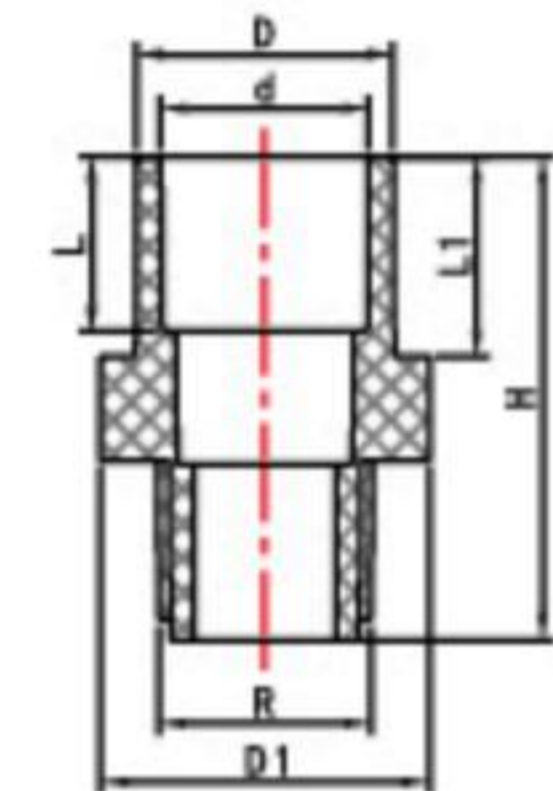
Nom Size	D	H	Rc
20X1/2"	28.6	24	1/2"
25X3/4"	35.2	26	3/4"
32X1"	43.3	32	1"
40X1 1/4"	53	35	1 1/4"
50X1 1/2"	59.4	36.2	1 1/2"
63X2"	73	42.6	2"
75x2 1/2"	89.8	56	2 1/2"
90x3"	107.8	64	3"
110x4"	133.5	73	4"



ITEM NO:US6018

**FEMALE ADAPTOR SPIGOT X FIPT**

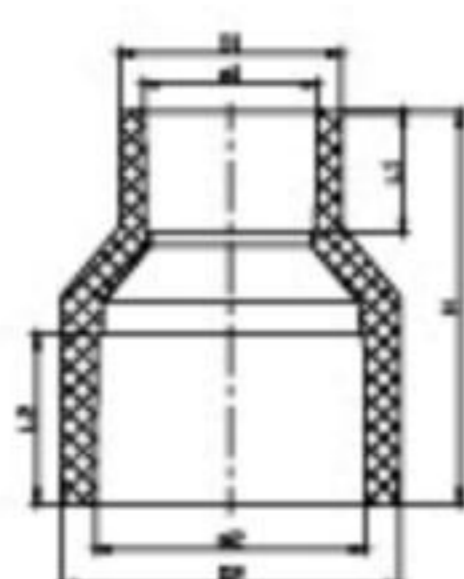
Nom Size	D	D1	d	L	H	Rc
20X1/2"	28.5	20	11.8	16.5	37.6	1/2"
20X3/4"	34	20	11.8	16.5	39.4	3/4"
25X1/2"	28.5	25	16.3	19.5	40.6	1/2"
25X3/4"	34	25	16.3	19.5	42.4	3/4"
25X1"	42.3	25	16.3	19.5	46.5	1"
32X3/4"	34	32	22	22.5	42	3/4"
32X1"	42.3	32	22	22.5	49.5	1"
40X1"	42.3	40	29	26.5	52	1"
40X1 1/4"	51.4	40	29	26.5	56	1 1/4"
40X1 1/2"	62.5	40	29	26.5	56	1 1/2"
50X1 1/4"	51.4	50	37.9	31.5	57.5	1 1/4"
50X1 1/2"	62.5	50	37.9	31.5	61	1 1/2"
50X2"	77.4	50	37.9	31.5	66	2"
63X1 1/2"	62.5	63	49	38.5	68	1 1/2"
63X2"	77.4	63	49	38.5	73	2"



ITEM NO:US6019

**MALE ADAPTOR M/F**

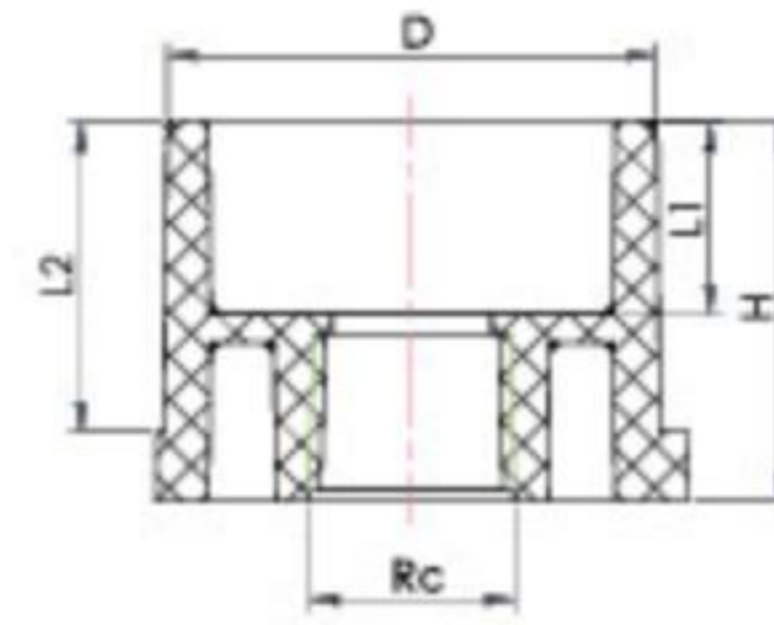
Size Nom	D	d	L	L1	H	Rc
25X20X1/2"	25	20	17	19.5	46	1/2"
20X25X3/4"	25	20.3	17	16.5	43.5	3/4"
25X32X1/2"	25.3	22	27	14	48	1/2"
25X32X3/4"	25.3	22	27	18.5	50	3/4"
25X32X1"	32	25.3	19.5	18	50	1"
32X40X1-1/4"	40	32.3	22.5	20.5	56.5	1 1/4"
32X40X3/4"	40	32.3	22.5	-	51	3/4"
40X32X1"	40	32	32.50	26.50	57	1"
50X40X1"	50	40	26.5	22	65.5	1"
40X50X1-1/2"	50	40.4	26.5	22	65.5	1 1/2"
50X40X1-1/4"	40.4	30	31.5	26.5	65.5	1 1/4"
63X50X2"	63	50	45	38	72	1 1/2"
63X50X1-1/2"	63	50	45	38	78	2"
75X63X2"	75	63	51.50	44	85	2"
75X90X3"	75	63.4	57.7	38.5	85	2 1/2"
75X63X2-1/2"	90	75.5	54	33	100	3"
90X75X2"	90	75	57	51.50	93.50	2"
110X90X3"	110	90	69.50	61.50	112.50	3"
110X125X3"	125	110.6	61.5	33	118	3"
125X110X4"	125	110.6	88.69	61.5	125	1"



ITEM NO:US6020

**REDUCING COUPLING M/F**

Nom Size	D1	d1	L1	D2	d2	L2	H
63x50x32	41.3	32.3	22.5	62	50.4	31.5	73



ITEM NO:US6022

**FEMALE REDUCING RING**

Nom Size	Rc	D	H	L1	L2
25X1/2"	1/2"	24.9	23.5	4.5	19.5
32X1/2"	1/2"	31.9	27.5	8.5	22.5
32X3/4"	3/4"	31.9	27.5	6.5	22.5
40X1"	1"	39.9	32.5	7.7	26.5
50X1/2"	1/2"	49.9	38.5	19.5	31.5
50X1 1/4"	1 1/2"	49.9	38.5	11.15	31.5
63X1 1/2"	1 1/2"	62.9	45.5	26.5	38.5

ITEM NO: US6023

**REDUCING RING MF**

Size Nom	D	D1	D2	D3	H	L	L1	L2
3/4" X1/4"	30	1/4"	18.4	1/4"	16	12	26	30
1/2" X1/4"	24	1/4"	13.4	1/4"	14	12	24	24



ITEM NO:USM002

**MALE ADAPTOR III**

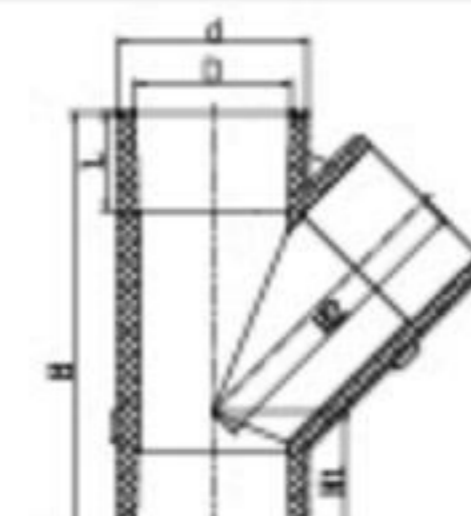
Size Nom	D	D1	d	L	H	Rc
20X1/2"	25	29.5	20	16	49	1/2"
25X3/4"	31.8	38.3	25	19.5	53	3/4"



ITEM NO:US6T02

**REDUCING TEE**

Nom Size	D1	d1	L1	h1	D2	d2	L2	h2	H
25x20	33	25	19.5	31	27	20	16.5	30.5	62
32x20	41.3	32	22.5	34	27	20	16.5	34	68
32x25	41.3	32	22.5	36.5	33	25	19.5	37	73
40x20	50.4	40	26.5	38	27	20	16.5	38	76
40x25	50.4	40	26.5	40.5	33	25	19.5	40.5	81
40x32	50.4	40	26.5	44.5	41.3	32	22.5	43.5	89
50x20	61	50	31.5	43.5	27	20	16.5	42.5	87
50x25	61	50	31.5	46	33	25	19.5	45.5	92
50x32	61	50	31.5	49.5	41.3	32	22.5	48.5	99
50x40	61	50	31.5	53.5	50.4	40	26.5	52.5	107
63x25	75.9	63	38.5	53.5	33	25	19.5	52	107
63x32	75.9	63	38.5	57	41.3	32	22.5	55	114
63x40	75.9	63	38.5	61	50.4	40	26.5	59	122
63x50	75.9	63	38.5	66	61	50	31.5	64	132
75x40	89.8	75	44.5	67	50.4	40	26.5	65	134
75x50	89.8	75	44.5	72	61	50	31.5	70	144
75x63	89.8	75	44.5	78.5	75.9	63	38.5	77	157
90x40	107.8	90	51.5	74	50.4	40	26.5	72.5	148
90x63	107.8	90	51.5	85.5	75.9	63	38.5	84.5	171
90x75	107.8	90	51.5	91.5	89.8	75	44.5	90.5	183
110x63	131	110	61.5	95.5	75.9	63	38.5	95	191
110x75	131	110	61.5	101.5	89.8	75	44.5	101	203
110x90	131	110	61.5	109	107.8	90	51.5	108	218
160x110	188	160	86.5	144	131	110	61.5	143	288



ITEM NO:US6T04

**SKEW TEE**

Size Nom	d	D	L	H	H1	H2
50MM	50.4	61	31.5	142	45	97