

Receiver
From

 Society
 Reference
 Address
 Phone
 Fax
 E-mail

Item n° :

103040120

Model :

FEKA VS 1200 M - A

Pump data

 Free passage : 50 mm
 Pressure rating :
 Min. fluid temperature : 0
 Max. fluid temperature : 323 K
 Max. Ambient temperature : 313 K

Requested data

 Flow : 0 l/s
 Head : 0 m
 Fluid : Water, pure
 Fluid Temperature : 293 K
 Density : 998.3 kg/m³
 Kinematic viscosity : 1.005 mm²/s
 Vapor pressure : 100 kPa

Hydraulic data (duty point)

 Flow :
 Head :

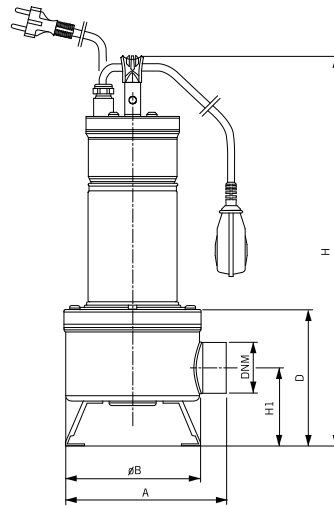
Materials

 Pump body : Stainless Steel (AISI 304)
 Impeller : Stainless Steel (AISI 304)
 Motor shaft : AISI 316
 Seal disk : Stainless Steel (AISI 304)
 Motor casing : Stainless Steel (AISI 304)
 Protection cover : Stainless Steel (AISI 304)
 Mechanical seal pump side : Silicon carbide/Silicon carbide

Motor data

 Motor brand : DAB
 Nominal power P2 : 1.2 kW
 Rated speed : 2800 1/min
 Rated voltage : 1~ 220-240 V
 Nominal current : 8.63 A
 Degree of protection : IP 68

50 Hz

Curve tolerance according to ISO 9906

Weight : 20.8 kg

Dimensions in mm

Dimension	Value				
A	203				
B	170				
D	172				
DNM	2" F				
H	537				
H1	98				

Pump connection

 Suction side : /
 Discharge side : 2" F / --



PERFORMANCE CURVES

17/10/2017

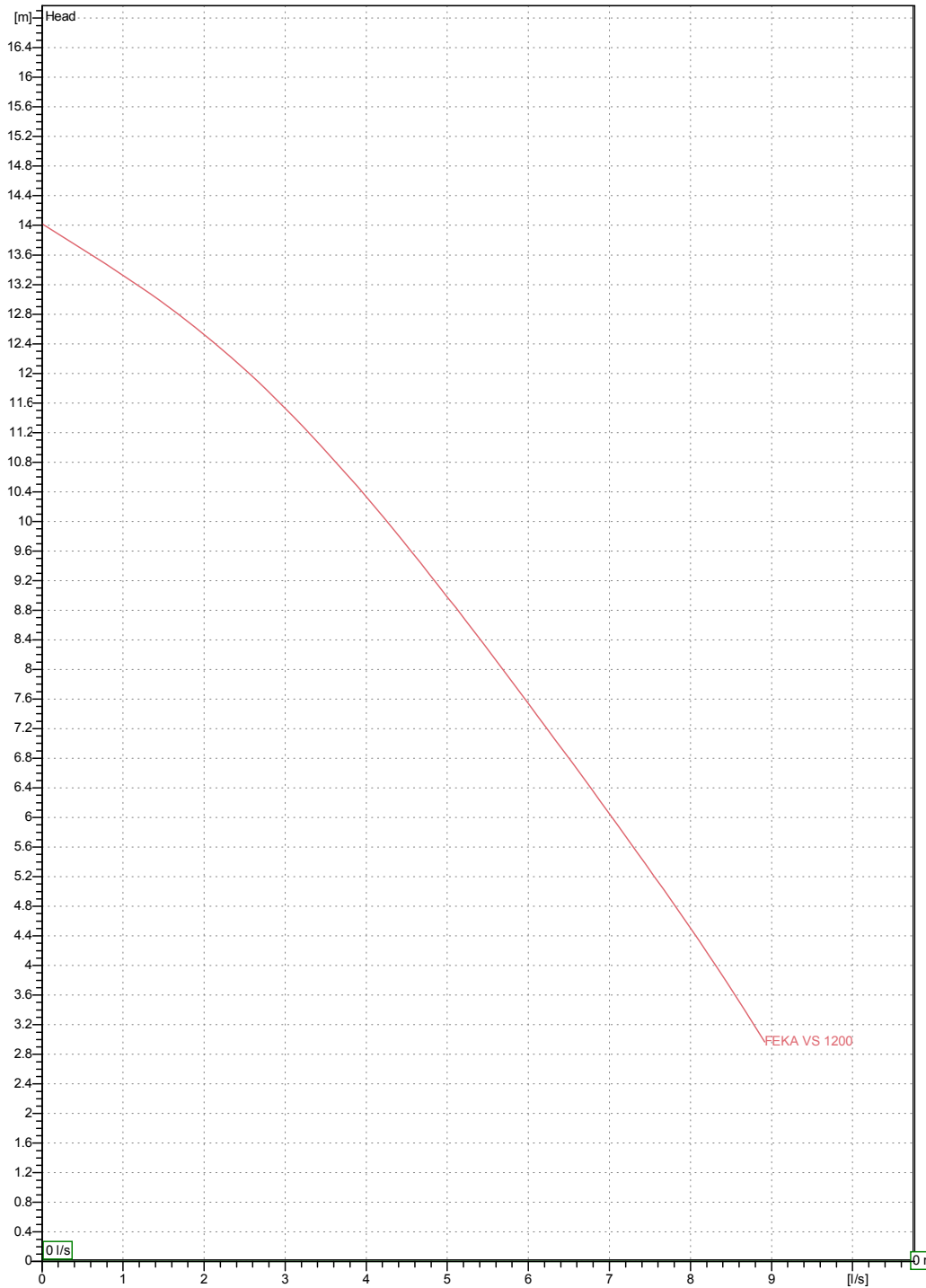
Page 2 / 3

DAB PUMPS S.p.A.
Via Marco Polo, 14 - 35035 Mestrino (PD), Italy
Tel. +39 049 5125000 - Fax +39 049 5125950
www.dabpumps.com

Society Reference Address Phone Fax E-mail	Receiver	From

FEKA VS 1200 M - A

Curve tolerance according to ISO 9906



Hydraulic data (duty point)

Suction side :	Discharge side : 2" F --	Flow : 0 l/s	Head : 0 m	Rated speed : 2800 1/min
Project	Project ID	Created by	Created on 17/10/2017	



WATER • TECHNOLOGY

DIMENSIONAL DRAWING

17/10/2017

Page 3 / 3

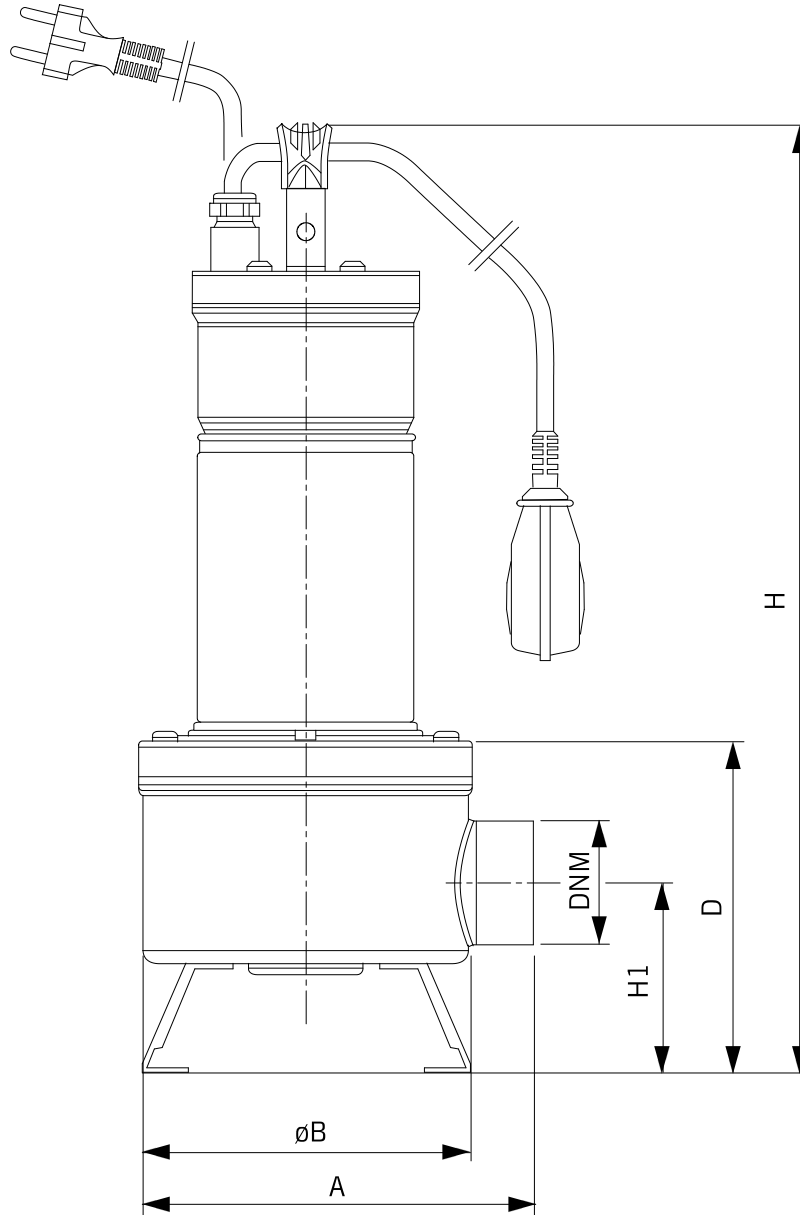
DAB PUMPS S.p.A.
Via Marco Polo, 14 - 35035 Mestrino (PD), Italy
Tel. +39 049 5125000 - Fax +39 049 5125950
www.dabpumps.com

Receiver

From

Society
Reference
Address
Phone
Fax
E-mail

FEKA VS 1200 M - A



Dimensions in mm

1	A	203
2	B	170
3	D	172
4	DNM	2" F
5	H	537
6	H1	98

Pump connection

Suction

Discharge

2 " F

-

Project

Project ID

Created by

Created on

17/10/2017