



Application

- Can be used to transfer clean water or other liquids similar to water in physical and chemical properties
- Suitable for industrial use and urban water supply, domestic water supply, high rise buildings, long distance water transfer and related auxiliary equipment etc.

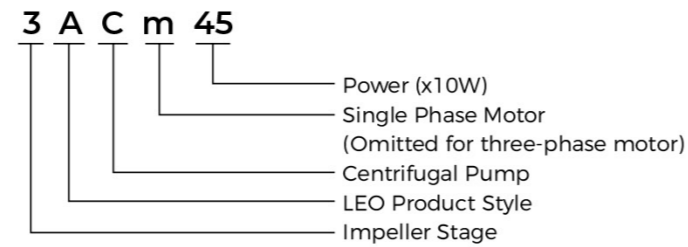
Pump

- Cast iron pump body and support under special anti-rust treatment
- AISI 304 shaft
- Max. liquid temperature: +60°C
- Max.suction: + 8m
- Self-priming

Motor

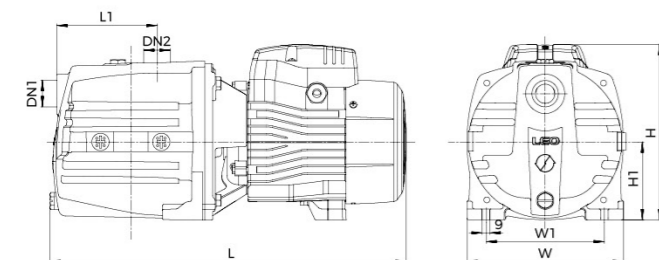
- Low noise&Long life bearing
- Motor with copper winding
- Built-in thermal protector for single phase motor
- Insulation class: F
- Protection class: IPX4
- Max. ambient temperature: +50°C
- IE 2 motor for 4AC75

Identification Codes



Technical Data

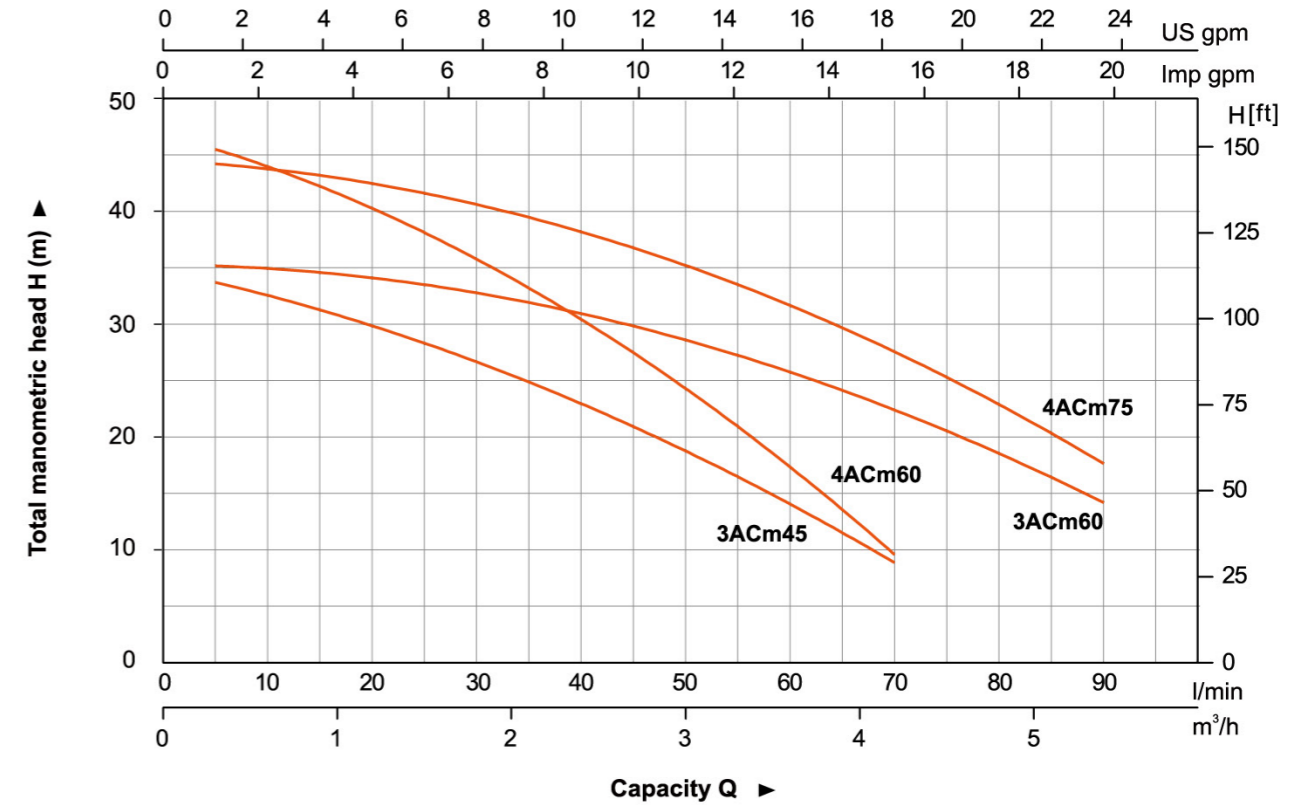
Model		Power		Q(m ³ /h)															
Single Phase	Three Phase	kW	HP	0	0.3	0.6	0.9	1.2	1.5	1.8	2.4	3.0	3.6	4.2	4.8	5.4			
				Q(l/min)	0	5	10	15	20	25	30	40	50	60	70	80	90		
3ACm45	-	0.45	0.6	H (m)	35	33.5	32.5	31.5	30	28.5	26.5	23	18.5	14	9	-	-		
4ACm60	-	0.6	0.85		46.5	45	44	42.5	40.5	38.5	36	30	24	17	10	-	-		
3ACm60	-	0.6	0.85		36	35.5	35	34.5	34	33.5	32.5	30.5	28.5	26	23	19	13.5		
4ACm75	4AC75	0.75	1		46.5	45	44	43	42	41	40	38	35.5	32.5	28	23	17		



Dimension

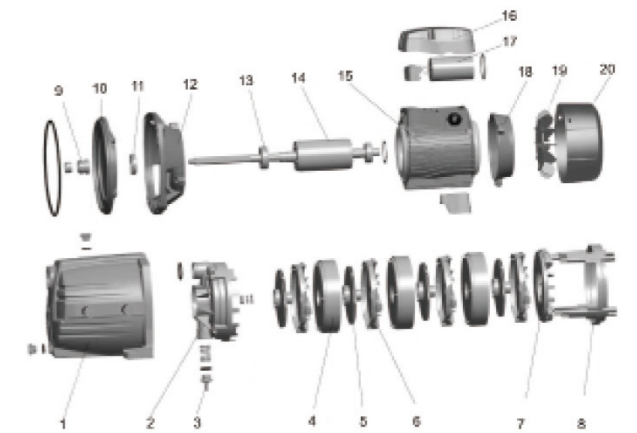
Model	DN1	DN2	L (mm)	W (mm)	H (mm)	L1 (mm)	W1 (mm)	H1 (mm)
3ACm45	1"	1"	356	180	182	97	136	90
4ACm60			410.5	180	202	123	132	90
3ACm60			385.5	180	202	97	136	90
4ACm75			410.5	180	202	123	132	90

Hydraulic Performance Curves



Materials Table

No.	Part	Material	No.	Part	Material
1	Pump body	HT200	11	Oil seal	
2	Pump cover	PPO	12	Support	ZL102
3	Return valve	PPO	13	Bearing	
4	Diffuser 1	PPO	14	Rotor	
5	Impeller	PPO	15	Stator	
6	Diffuser 2	PPO	16	Terminal box	PA6-GF25
7	Diffuser holder	PPO	17	Capacitor	
8	Support frame	PPO	18	Rear cover	ZL102
9	Mechanical seal	Carbon/Ceramic	19	Fan	PP
10	Bracket cover	HT200	20	Fan cover	PP



Package Information

Model	GW (Kgs)	L (mm)	W (mm)	H (mm)	Quantity (PCS/20'TEU)
3ACm45	13.5	410	200	210	1515
4ACm60	15.5	435	200	230	1233
3ACm60	16.3	460	200	230	1305
4ACm75	17.7	460	200	230	1176

