



Application

- Can be used to transfer clean water or other liquids similar to water in physical and chemical properties
- Suitable for industrial use and urban water supply, domestic water supply, high rise buildings, long distance water transfer and related auxiliary equipment etc.

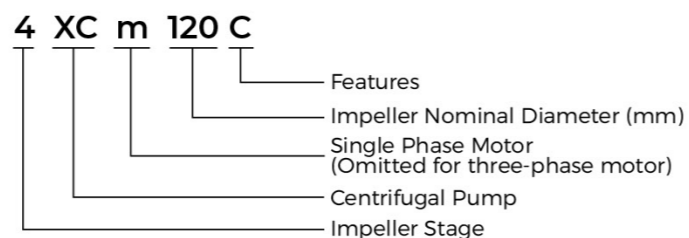
Pump

- Stainless steel pump body
- AISI 304 shaft
- Max.liquid temperature: +60°C
- Max.suction: +8 m
- Low noise

Motor

- Low noise & Long life bearing
- Motor with copper winding
- Built-in thermal protector
- Insulation class: F
- Protection class: IPX4
- Max. ambient temperature: +50°C

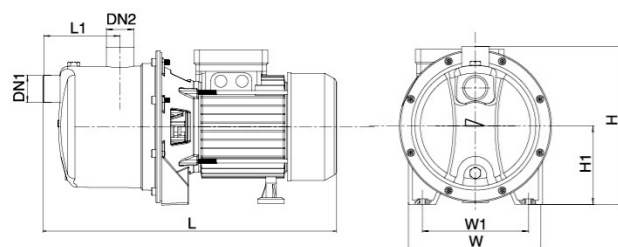
Identification Codes



Technical Data

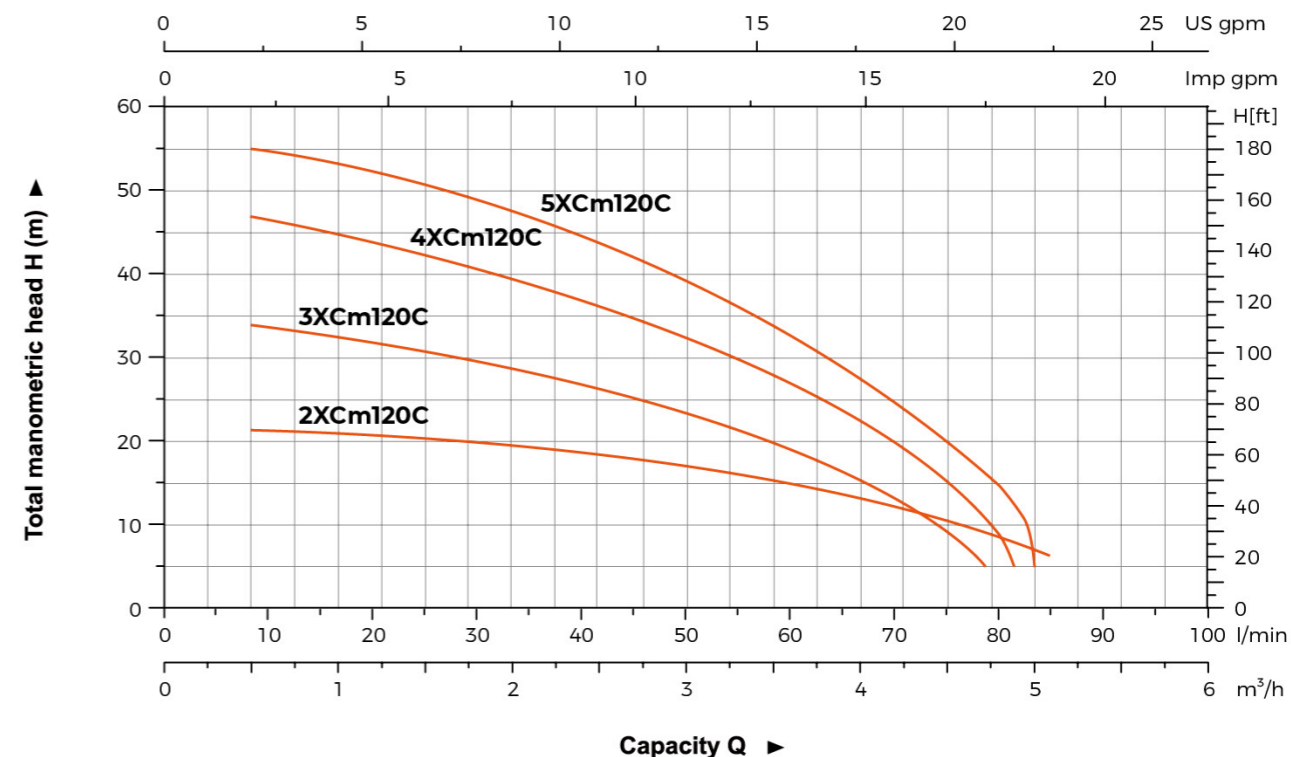
Model		Power		Q(m³/h)																			
Single Phase	Three Phase	kW	HP	0	0.6	1.2	1.8	2.4	3	3.6	4.2	4.8	4.9	5									
			Q(l/min)																				
			H (m)																				
			0	10	20	30	40	50	60	70	80	82	84										
2XCm120C	-	0.37	0.5	20.5	20.3	20	19.5	18.5	16.5	14.5	11	6	-	-									
3XCm120C	-	0.6	0.8	34	33	31.5	29	26	22	17.5	11.5	3.5	-	-									
4XCm120C	4XC120C	0.75	1.0	48	45.5	42.5	39.5	36	31.5	26	18.8	9	3	-									
5XCm120C	5XC120C	0.9	1.2	56.5	54.5	52	48.2	44	38.5	32	24	15	12.5	3									

Dimension



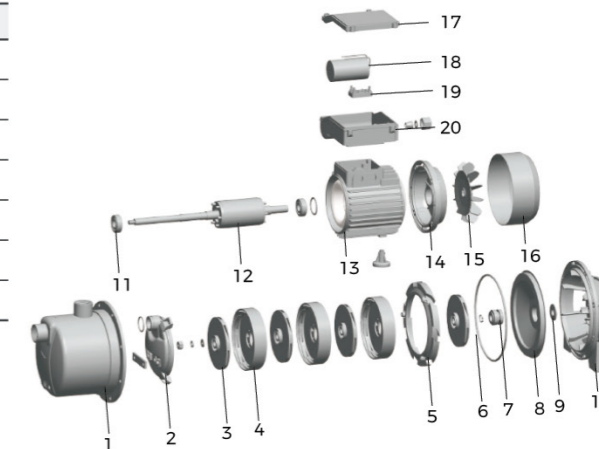
Model	DN1	DN2	L (mm)	W (mm)	H (mm)	L1 (mm)	W1 (mm)	H1 (mm)
2XCm120C	1"	1"	344	200	209	52	140	103
3XCm120C			362	174	208	77	140	103
4XC(m)120C			386	174	208	104	140	103
5XC(m)120C			410	174	208	125	140	103

Hydraulic Performance Curves



Materials Table

No.	Part	Material	No.	Part	Material
1	Pump body	AISI 304	14	Rear cover	ZL102
2	Pump cover	PPO	15	Fan	PP
3	Impeller	PPO	16	Fan cover	08F
4	Diffuser	PPO	17	Terminal cover	ABS
5	Water guiding board	PPO	18	Capacitor	
6	O-ring	NBR	19	Terminal	
7	Mechanical seal	Carbon/Ceramic	20	Terminal box	ABS
8	Bracket cover	AISI 304			
9	Rubber washer				
10	Support	ZL102			
11	Ball bearing				
12	Rotor				
13	Stator				



Package Information

Model	GW (Kgs)	L (mm)	W (mm)	H (mm)	Quantity (PCS/20'TEU)
2XCm120C	8.3	380	235	265	1056
3XCm120C	9.5	405	235	265	1072
4XC(m)120C	10.5	430	235	265	1008
5XC(m)120C	11.5	455	235	265	960

