



Application

- Can be used to transfer clean water or other liquids similar to water in physical and chemical properties
- Suitable for lifting water from the well, sprinkling irrigation in garden, pressure boosting of running water, and supporting equipment etc.

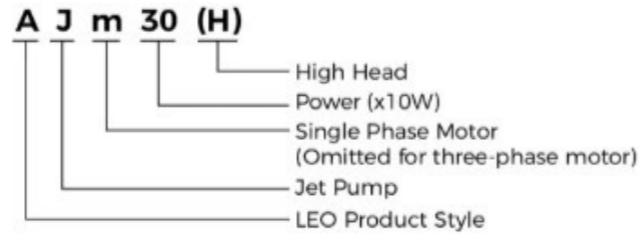
Pump

- Cast iron pump body and support under special anti-rust treatment
- Stainless steel impeller
- AISI 304 shaft
- Max. liquid temperature: +60°C
- Max. suction: +9 m

Motor

- Low noise&Long life bearing
- Motor with copper winding
- Built-in thermal protector for single phase motor
- Insulation class: F
- Enclosures class: IPX4
- Max.ambient temperature: +50 °C

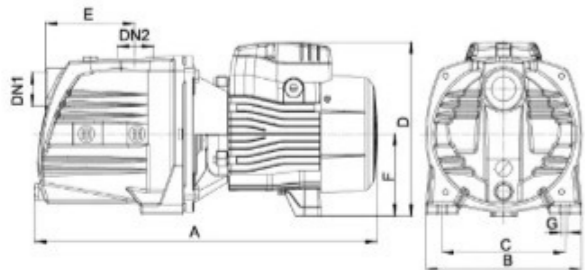
Identification Codes



Technical Data

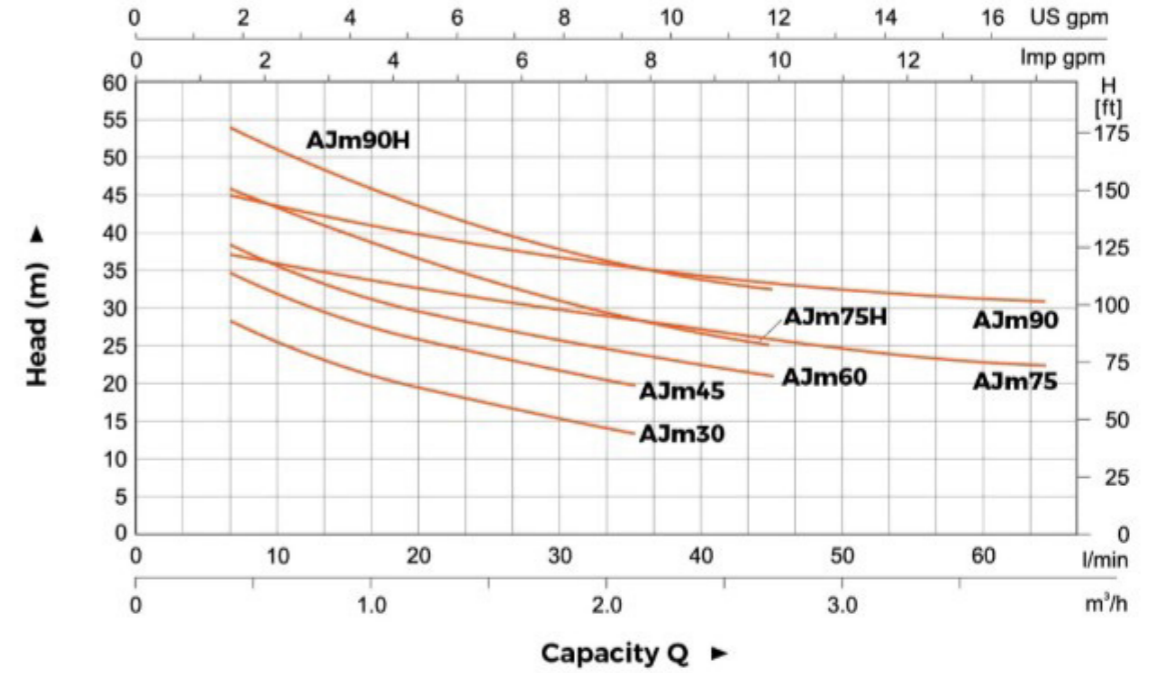
Model	Power		Q(m³/h)	Q(l/min)															
	kW	HP		0	0.3	0.6	0.9	1.2	1.5	1.8	2.1	2.4	2.8	3	3.3	3.6	3.9		
AJm30	0.3	0.4		33	30	26	22.5	20	18	16	14	-	-	-	-	-	-		
AJm45	0.45	0.6		38	36	32	28	25	22	20	18	-	-	-	-	-	-		
AJm60	0.6	0.8		44	41	37	33.5	31	28.5	26	24	22.5	21	-	-	-			
AJm75	0.75	1.0	H (m)	40	38	36	34.5	33	31.5	30	29	28	27	26	25	24	23		
AJm75H	0.75	1.0		50	47	43	40	37	34.5	32	30	27.5	25	-	-	-	-		
AJm90	0.9	1.2		48	46	44	42.5	41	39.5	38	36	35	34	33	32	31	30		
AJm90H	0.9	1.2		60	57	53	49	46	43	40	37	35	33	-	-	-	-		

Dimension



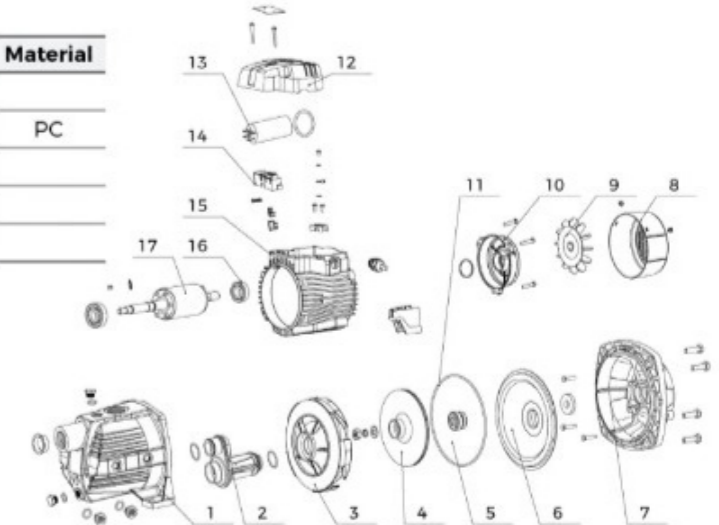
Model	DN1	DN2	A (mm)	B (mm)	C (mm)	D (mm)	E (mm)	F (mm)	G (mm)
AJm30			351	160	125	182	90	90	10
AJm45			351(377)	160	125	182	90(125)	90	10
AJm60			418(437)	190	150	213	114(145)	100	10
AJm75	1"	1"	418	190	150	213	114	100	10
AJm75H			418(437)	190	150	213	114(145)	100	10
AJm90			418	190	150	213	114	100	10
AJm90H			418(437)	190	105	213	114(145)	100	10

Hydraulic Performance Curves



Material Table

No.	Part	Material	No.	Part	Material
1	Pump body	HT200	13	Capacitor	
2	Interval channel	PP-GF30	14	Wiring base assembly	PC
3	Water outlet cover	PP-GF30	15	Stator	
4	Impeller	PP-GF30	16	Bearing	
5	Mechanical seal		17	Rotor	
6	Bracket cover	AISI304			
7	Bracket	ADC12			
8	Fan cover	PP			
9	Fan	PP-GF10			
10	End plate	ADC12			
11	O-ring	NBR			
12	Cover box	PP-GF20			



Package Information

Model	CW (Kgs)	L (mm)	W (mm)	H (mm)	Quantity (PCS/20'TEU)
AJm30	8.5	390	185	215	1740
AJm45	9.5	390	185	215	1740
AJm60	13.9	455	215	245	1170
AJm75	15	455	215	245	1170
AJm75H	15	455	215	245	1170
AJm90	16	455	215	245	1170
AJm90H	16	455	215	245	1170

