



Application

- To transfer clean water with liquid temperature between 0°C and 40°C
- Application in water supply and drainage for factories, mines, municipal facilities as well as field irrigation, etc.
- Suitable for longer distance and greater height water transfer

Features

- New unique design with ergonomic feature
- Portable and compact pump frame
- High quality motor with excellent performance and long service life
- Impeller designed with high efficient hydraulic system
- Low fuel consumption
- LEO engine as default, BS/Honda engine is optional

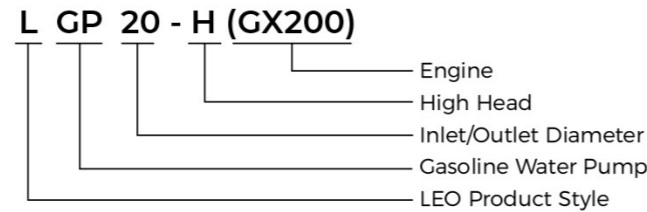
Pump

- Anti-rust cast iron diffuser
- Max.Suction: 8 m , Suck 5 m needs 120 s
- Inlet/outlet: 50 mm/2 x 38 mm+1 x 50 mm
38 mm/1 x 38 mm+2 x 25 mm

Engine

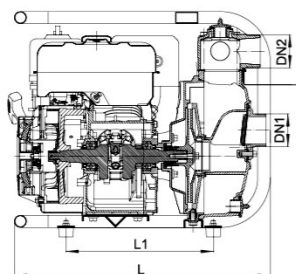
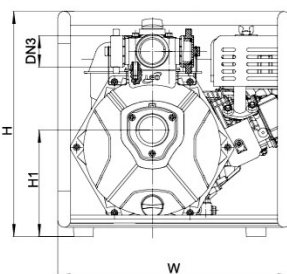
- Single cylinder, 4-stroke, Air-cooled
- Max.power: 6.5 HP
- Rated speed: 3600 rpm
- Reliable engine equipped with low engine oil shut off system

Identification Codes



Technical Data

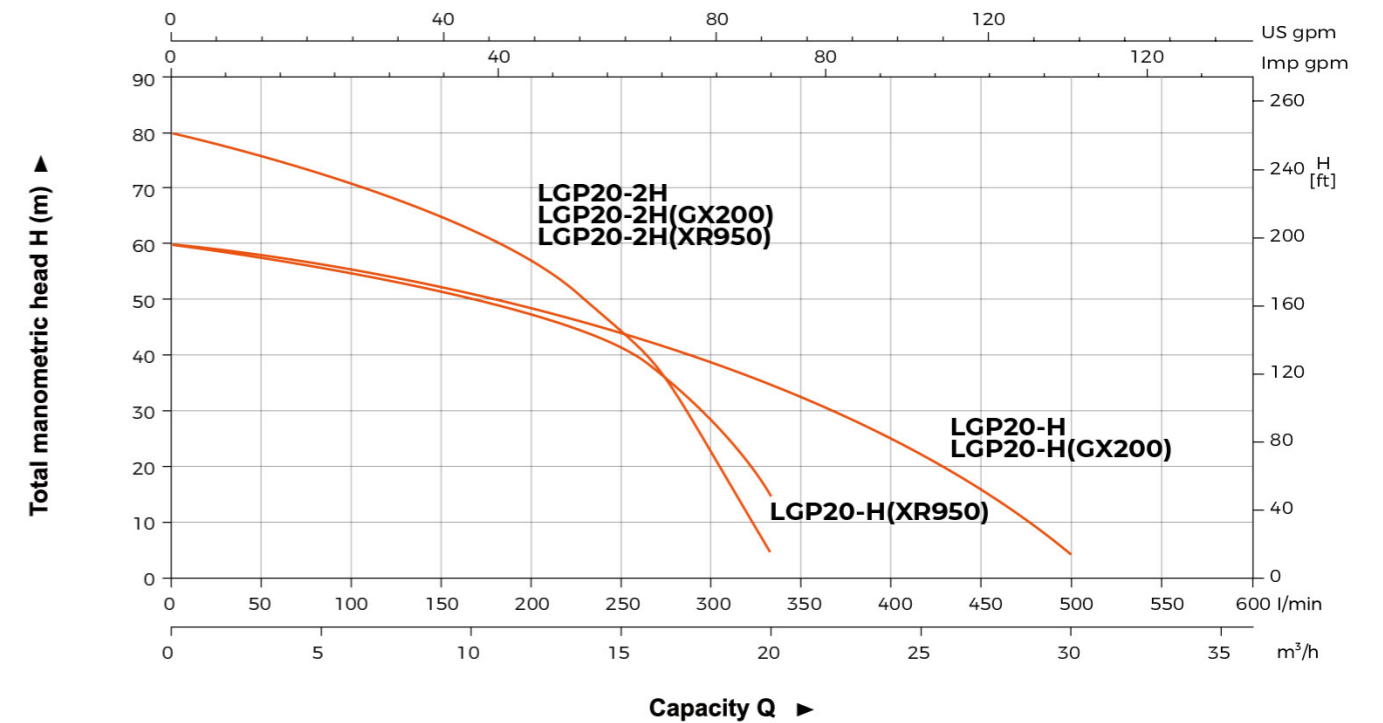
Model	Power	Fuel Tank	Engine Oil	Displacement	Engine	Q(m ³ /h)							
	HP	L	L	cc		0	5	10	15	20	25	30	
LGP20-H	6.5	3.1	0.55	196	G200	H (m)	60	56.5	51.5	44.5	35	20	5
LGP20-H(GX200)	6.5	2.8	0.58	196	GX200		60	56.5	51.5	44.5	35	20	5
LGP20-2H	6.5	3.1	0.55	196	G200		80	72.5	62.5	45	5	-	-
LGP20-2H(GX200)	6.5	2.8	0.58	196	GX200		80	72.5	62.5	45	5	-	-
LGP20-H(XR950)	6.5	3.1	0.6	208	XR950		60	55.2	50	41	15	-	-
LGP20-2H(XR950)	6.5	3.1	0.6	208	XR950		80	72.5	62.5	45	5	-	-



Dimension

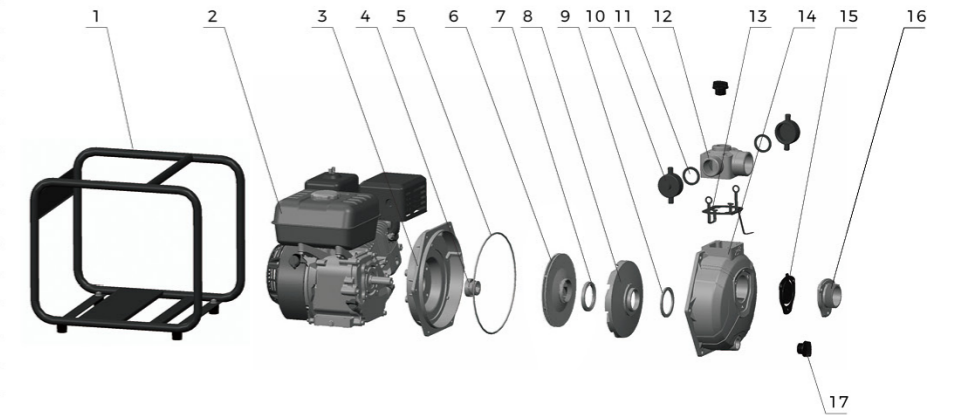
Model	DN1	DN2	2xDN3	L (mm)	W (mm)	H (mm)	H1 (mm)
LGP20-H	2"	2"	1.5"	463	398	406	200
LGP20-H(GX200)	2"	2"	1.5"	530	420	425	192.2
LGP20-2H	2"	2"	1.5"	463	398	406	200
LGP20-2H(GX200)	2"	2"	1.5"	530	420	425	192.2
LGP20-H(XR950)	2"	2"	1.5"	530	420	425	190
LGP20-2H(XR950)	2"	2"	1.5"	530	420	425	190

Hydraulic Performance Curves



Materials Table

No.	Part	Material
1	Frame	Steel
2	Engine	
3	Bracket	Aluminum
4	Mechanical seal	Carbon/Ceramic
5	O-ring	NBR
6	Impeller	Aluminum
7	Seal ring	NBR
8	Diffuser	HT200
9	Seal ring	NBR
10	Pipe blanking cap	PP
11	Seal ring	NBR
12	Outlet	Aluminum
13	Gasket	NBR
14	Pump body	Aluminum
15	Non-return valve	NBR
16	Inlet	Aluminum
17	Filling plug	PA6



Package Information

Model	GW (Kgs)	L (mm)	W (mm)	H (mm)	Quantity (PCS/20' TEU)
LGP20-H	23.22	470	412	432	305
LGP20-H(GX200)	25.5	545	435	465	196
LGP20-2H	23.24	470	412	432	305
LGP20-2H(GX200)	27	545	435	465	196
LGP20-H(XR950)	27.2	545	435	465	196
LGP20-2H(XR950)	28.2	545	435	465	196

