



Application

- To transfer clean water with liquid temperature between 0°C and 40°C
- Application in water supply and drainage for factories, mines, municipal facilities as well as field irrigation, etc.

Features

- 4-stroke gasoline engine power performance, structural optimization and upgrading
- Ignition more convenient, more complete combustion, low energy consumption, more environmentally friendly
- Strengthened pump body ensures more durable and reliable service
- Better sealing effect by using special mechanical seal
- Impeller designed with high efficient hydraulic system

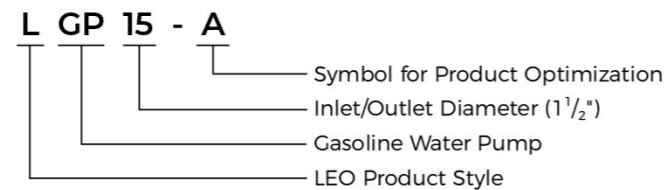
Pump

- Anti-rust cast iron impeller and diffuser
- Max.Suction: 8 m . Suck 5 m needs 120 s
- Inlet/outlet: 25 mm / 38 mm

Engine

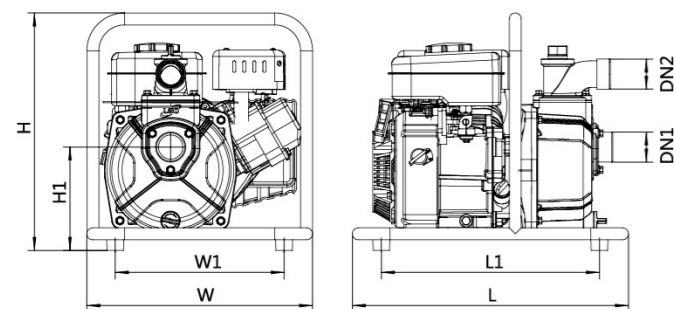
- Single cylinder, 4-stroke, Air-cooled
- Max.power: 3 HP
- Rated speed: 3600 rpm

Identification Codes



Technical Data

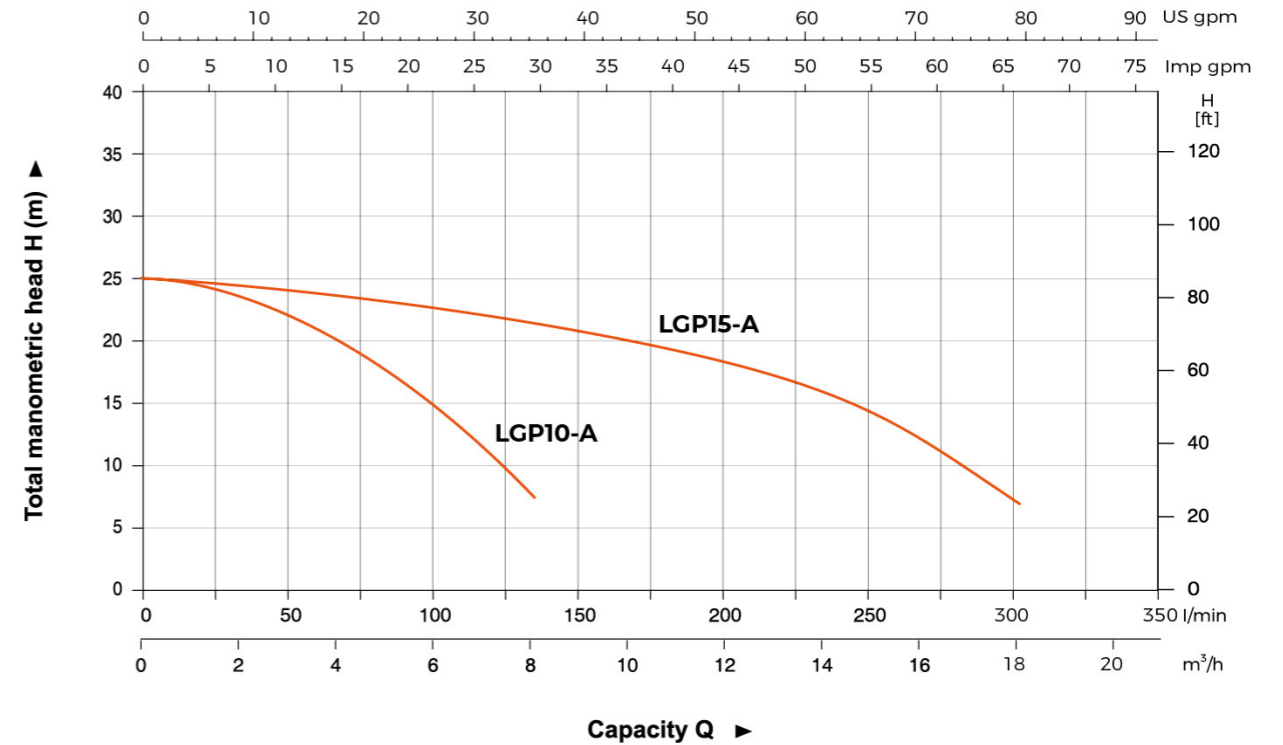
Model	Power HP	Fuel Tank L	Engine Oil L	Displacement cc	Engine	Q(m³/h)		Q(l/min)									
						0	2	4	6	8	10	12	14	16	18		
LGP10-A	3	1.8	0.35	79	G79	H	25	24	20.2	15	7.5	-	-	-	-	-	-
LGP15-A	3	1.8	0.35	79	G79	(m)	25	24.5	24	23	22	20	17	15	12	7.2	



Dimension

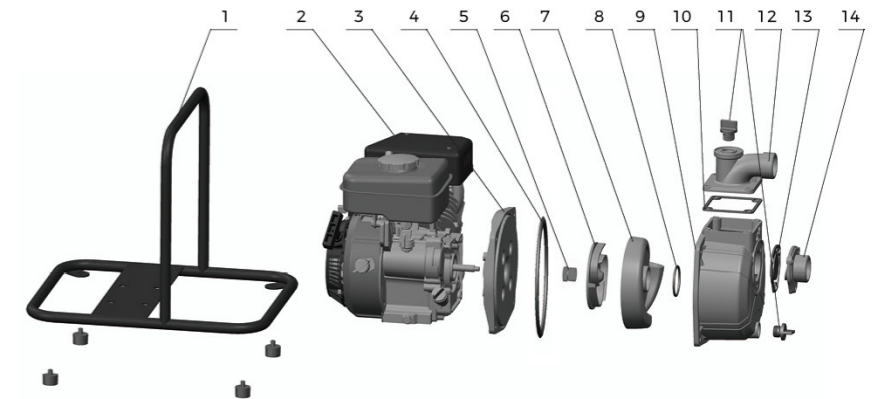
Model	DN1	DN2	L (mm)	W (mm)	H (mm)	L1 (mm)	W1 (mm)	H1 (mm)
LGP10-A	1"	1"	438	380	377	346	268	158
LGP15-A	1 1/2"	1 1/2"	438	380	377	346	268	164.2

Hydraulic Performance Curves



Materials Table

No.	Part	Material
1	Frame	Steel
2	Engine	
3	Pump cover	Aluminum
4	O-ring	NBR
5	Mechanical seal	Carbon/Ceramic
6	Impeller	HT200
7	Diffuser	HT200
8	O-ring	NBR
9	Pump body	Aluminum
10	Seal	NBR
11	Plug	PP
12	Outlet	Aluminum
13	Non-return valve	NBR
14	Inlet	Aluminum



Package Information

Model	GW (Kgs)	L (mm)	W (mm)	H (mm)	Quantity (PCS/20'TEU)
LGP10-A	13	464	378	400	330
LGP15-A	14.5	464	378	400	330

