



Application

- To transfer clean water with liquid temperature between 0°C and 40°C
- Application in water supply and drainage for factories, mines, municipal facilities as well as field irrigation, etc.

Features

- Strengthened pump body ensures more durable and reliable service
- Better sealing effect by using special mechanical seal
- 5-direction outlet for convenient use
- Improved starter handle for easier starting
- 20% increased loading quantity thanks to very compact design
- Less gasoline consumption

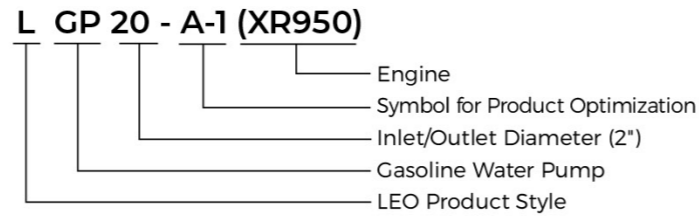
Pump

- Anti-rust cast iron impeller and diffuser
- High quality forged steel crankshaft
- Max.Suction: 8 m , Suck 5 m needs 120 s
- Inlet/outlet: 50 mm / 80 mm

Engine

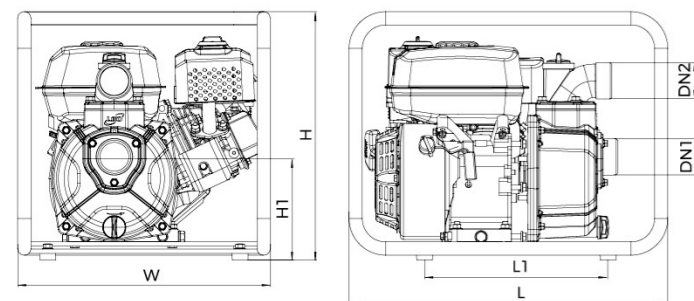
- Single cylinder, 4-stroke, Air-cooled
- Max. power: 6.5 HP
- Rated speed: 3600 rpm
- Reliable engine equipped with low engine oil shut off system

Identification Codes



Technical Data

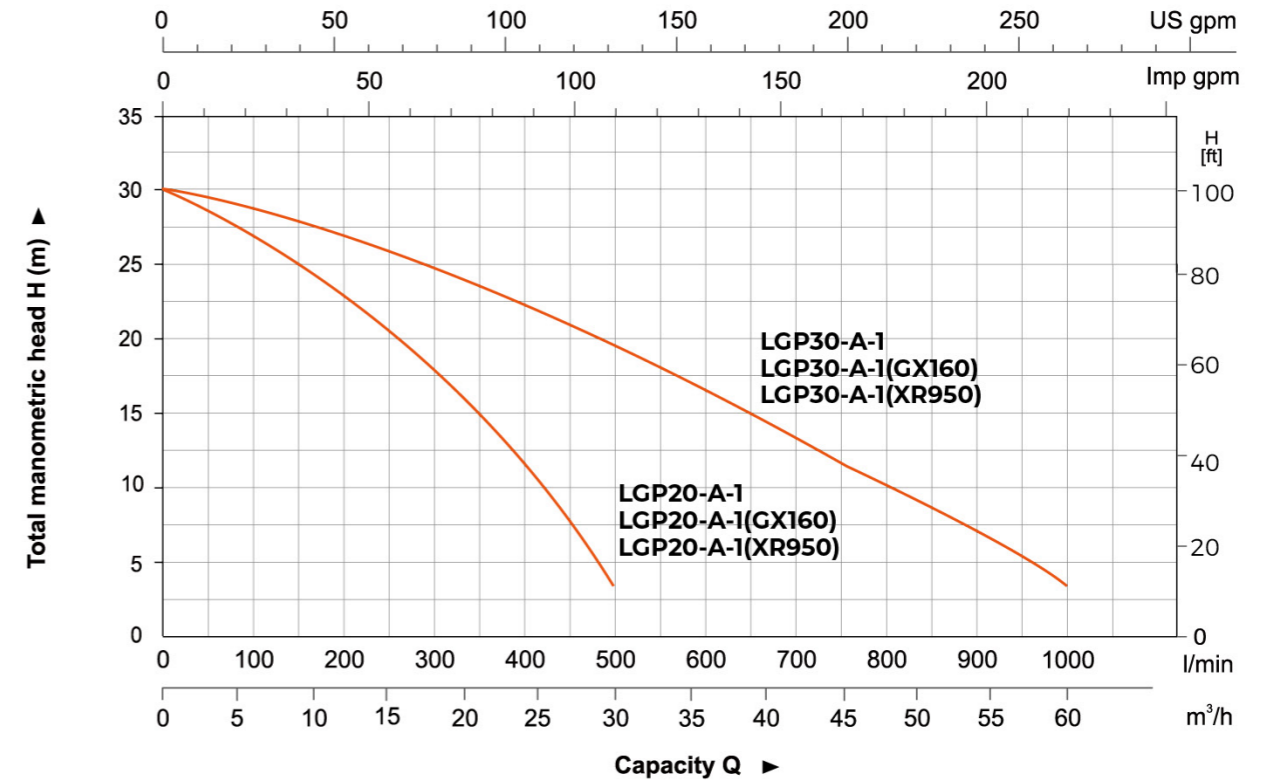
Model	Power	Fuel Tank	Engine Oil	Displacement	Engine	Q(m³/h)																																																																																																																												
	HP	L	L	cc		0	5	10	15	20	25	30	35	40	45	50	55	60																																																																																																																
LGP20-A-1	6.5	3.1	0.55	196	G200	<table border="1"> <thead> <tr> <th colspan="2">Q(l/min)</th> <th>0</th><th>83.3</th><th>166.7</th><th>250</th><th>333.3</th><th>416.7</th><th>500</th><th>583.3</th><th>666.7</th><th>750</th><th>833.3</th><th>916.7</th><th>1000</th> </tr> </thead> <tbody> <tr> <td rowspan="6">H (m)</td> <td>30</td> <td>28</td><td>24.5</td><td>21</td><td>16</td><td>10.5</td><td>3.5</td><td>-</td><td>-</td><td>-</td><td>-</td><td>-</td><td>-</td><td>-</td><td>-</td><td>-</td> </tr> <tr> <td>30</td> <td>28</td><td>24.5</td><td>21</td><td>16</td><td>10.5</td><td>3.5</td><td>-</td><td>-</td><td>-</td><td>-</td><td>-</td><td>-</td><td>-</td><td>-</td><td>-</td> </tr> <tr> <td>30</td> <td>28</td><td>24.5</td><td>21</td><td>16</td><td>10.5</td><td>3.5</td><td>-</td><td>-</td><td>-</td><td>-</td><td>-</td><td>-</td><td>-</td><td>-</td><td>-</td> </tr> <tr> <td>30</td> <td>29</td><td>27.5</td><td>26</td><td>24</td><td>21.7</td><td>19.5</td><td>16.9</td><td>14.4</td><td>11.6</td><td>9.2</td><td>6.4</td><td>3.5</td><td>-</td><td>-</td><td>-</td> </tr> <tr> <td>30</td> <td>29</td><td>27.5</td><td>26</td><td>24</td><td>21.7</td><td>19.5</td><td>16.9</td><td>14.4</td><td>11.6</td><td>9.2</td><td>6.4</td><td>3.5</td><td>-</td><td>-</td><td>-</td> </tr> <tr> <td>30</td> <td>29</td><td>27.5</td><td>26</td><td>24</td><td>21.7</td><td>19.5</td><td>16.9</td><td>14.4</td><td>11.6</td><td>9.2</td><td>6.4</td><td>3.5</td><td>-</td><td>-</td><td>-</td> </tr> </tbody> </table>													Q(l/min)		0	83.3	166.7	250	333.3	416.7	500	583.3	666.7	750	833.3	916.7	1000	H (m)	30	28	24.5	21	16	10.5	3.5	-	-	-	-	-	-	-	-	-	30	28	24.5	21	16	10.5	3.5	-	-	-	-	-	-	-	-	-	30	28	24.5	21	16	10.5	3.5	-	-	-	-	-	-	-	-	-	30	29	27.5	26	24	21.7	19.5	16.9	14.4	11.6	9.2	6.4	3.5	-	-	-	30	29	27.5	26	24	21.7	19.5	16.9	14.4	11.6	9.2	6.4	3.5	-	-	-	30	29	27.5	26	24	21.7	19.5	16.9	14.4	11.6	9.2	6.4	3.5	-	-	-
Q(l/min)		0	83.3	166.7	250														333.3	416.7	500	583.3	666.7	750	833.3	916.7	1000																																																																																																							
H (m)	30	28	24.5	21	16														10.5	3.5	-	-	-	-	-	-	-	-	-																																																																																																					
	30	28	24.5	21	16														10.5	3.5	-	-	-	-	-	-	-	-	-																																																																																																					
	30	28	24.5	21	16														10.5	3.5	-	-	-	-	-	-	-	-	-																																																																																																					
	30	29	27.5	26	24														21.7	19.5	16.9	14.4	11.6	9.2	6.4	3.5	-	-	-																																																																																																					
	30	29	27.5	26	24	21.7	19.5	16.9	14.4	11.6	9.2	6.4	3.5	-	-	-																																																																																																																		
	30	29	27.5	26	24	21.7	19.5	16.9	14.4	11.6	9.2	6.4	3.5	-	-	-																																																																																																																		
LGP20-A-1(GX160)	5	2.8	0.58	163	GX160																																																																																																																													
LGP20-A-1(XR950)	6.5	3.1	0.6	208	XR950																																																																																																																													
LGP30-A-1	6.5	3.1	0.55	196	G200																																																																																																																													
LGP30-A-1(GX160)	5	2.8	0.58	163	GX160																																																																																																																													
LGP30-A-1(XR950)	6.5	3.1	0.6	208	XR950																																																																																																																													



Dimension

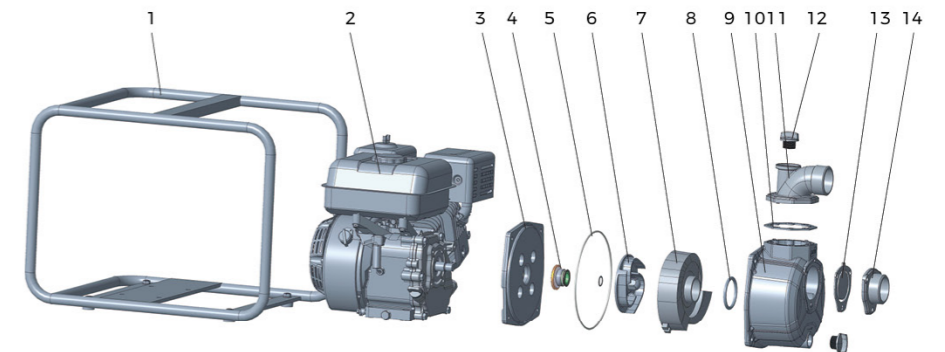
Model	DN1	DN2	L (mm)	W (mm)	H (mm)	H1 (mm)
LGP20-A-1	2"	2"	530	420	425	181
LGP20-A-1(GX160)	2"	2"	530	420	425	181
LGP20-A-1(XR950)	2"	2"	530	420	425	190.5
LGP30-A-1	3"	3"	530	420	425	190
LGP30-A-1(GX160)	3"	3"	530	420	425	183
LGP30-A-1(XR950)	3"	3"	530	420	425	190

Hydraulic Performance Curves



Materials Table

No.	Part	Material
1	Frame	Steel
2	Gasoline engine	
3	Pump cover	ADC12
4	Mechanical seal	Carbon/Ceramic
5	O-ring	NBR
6	Impeller	Cast iron
7	Diffuser	Cast iron
8	O-ring	NBR
9	Pump body	Aluminum
10	Gasket	NBR
11	Outlet	Aluminum
12	Filling plug	PA6
13	Non-return valve	NBR
14	Inlet	Aluminum



Package Information

Model	GW (Kgs)	L (mm)	W (mm)	H (mm)	Quantity (PCS/20' TEU)
LGP20-A-1	24	545	435	435	245
LGP20-A-1(GX160)	24	545	435	435	245
LGP20-A-1(XR950)	25	545	435	435	245
LGP30-A-1	25.2	545	435	435	245
LGP30-A-1(GX160)	25.2	545	435	435	245
LGP30-A-1(XR950)	27.2	545	435	435	245

